

Automatizacija prozora

Window Automation



SIMON PROtec tehnologija pogona i tehnologija okova
SIMON PROtec Actuator & Fitting Technology


SUPERKLJUČ[®]
KLJUČ VRHUNSKE KVALITETE


SIMON
we create fire safety



Sadržaj / Index

4	Opis simbola Beschichtungsservice CAD detaljno planiranje Dokumenti online Kalkulator Opis proizvoda	<i>Icon description Coating service CAD detailed planning Documents online Calculator Product description</i>
7	SICO tehnologija	<i>SICO technology</i>



Preklopna ruka <i>Folding Arm² actuators</i>	10
Lančani pogoni <i>Chain actuators</i>	20
Linearni pogoni <i>Linear actuators</i>	34
Tehnologija okova <i>Fitting technology</i>	52

Prirodno odvođenje dima, od pionira ove tehnologije.

Firma SIMON PROtec Systems GmbH sa sjedištem u Passau nudi preko 50 godina pogonsku i upravljačku tehnologiju za prirodno odvođenje dima i topline. „Created in Bavaria“ je ključna riječ za razvoj i proizvodnju. SIMON PROtec isporučuje širok asortiman provjerenih kompaktnih i modularnih centrala po cijelom svijetu. Preko 20 godina nudimo i tekstilnu protupožarnu zaštitu u obliku automatskih protudimnih i protupožarnih zavjesa. Izolacija u slučaju požara, odvajanje dimnog dijela i odvođenje dima i topline – SIMON PROtec je tu za mnoge varijante moderne protupožarne zaštite.

U cijelokupnom ciklusu gradnje, stojimo Vam na raspolaganju za savjetovanje i pomoć.

SIMON PROtec – we create fire safety!

Natural smoke ventilation from the pioneer of this technology. The company SIMON PROtec Systems GmbH with headquarters in Passau, Germany, offers actuators and control panels for natural smoke and heat exhaust ventilation for nearly 50 years. „Created in Bavaria“ is the slogan for the development and production in-house. SIMON PROtec provides a wide range of approved actuators and compact/modular control panels worldwide. For more than 20 years we are also active in the field of textile smoke and fire curtains. Fire protection bulkhead, smoke area separation and smoke and heat exhaust - SIMON PROtec stands for multi-variant systems for modern fire protection. During the whole construction cycle we can assist and advise you.

SIMON PROtec - we create fire safety!



Opis simbola

Symbol description

RWA korištenje
Upotrebljivo za prirodno odvođenje
dima u zgradama



Smoke vent approved
Usable for natural smoke
ventilation in buildings.

Prirodna ventilacija
Ispitana izdržljivost za
dnevnu ventilaciju



Natural Ventilation
Approved for reliability. Usable
for daily open and close.

Eko struja
Proizvodi od 100% eko struje



Green energy
Products manufactured with
100% green electricity.

24 V DC Verzija
Postoje pogonske varijante za
24 V DC opskrbu



24 V DC version
The actuator is available with a
connection for 24 V DC supply.

NRWG testirano
Kompletan sistem je testiran
prema DIN EN 12101-2



NSHEV approved
The smoke ventilator is appro-
ved according EN 12101-2

Snaga
Visoka učinkovitost i
maksimalna snaga



Powerful
Very high efficiency and
maximum force

230 V AC Verzija
Postoje pogonske varijante za
230 V AC pogon ventilacije



230 V AC version
The actuator is available for
230 V AC daily ventilation usage.

Tandem varijanta
Sigurnosno gašenje zbog
preopterećenja kod npr. blokade



Tandem version
Safety cut-off at overload
through for e.g. blockade

Sinkronizirano upravljanje
Medusobna kontrola kroz
podešavanje brzine



Synchro control
One another controls the drive
speed.

SICO
Pogon ima BUS programsko sučelje



SICO
The actuator has a BUS
connection for programming.

Simon Link
Pogon ima priključak za
programiranje



Simon Link
The actuator has a connecti-
on for programming.

Različite varijante ugradnje

Pomoću crvenih crta objašnjene su
mogućnosti otvaranja i mogućnosti
ugradnje na prozore.
(desno je nekoliko primjera)
Primjeri ugradnje u obliku tehničkih
detalja napravljene su sa okvirom
(=SIVA boja) i krilima (=CRVENA boja)



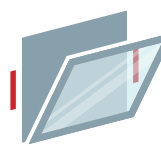
Prozor prema van
Pogon dolje na sredinu okvira

Top hung window outward
opening. Actuator bottom
middle at the frame.



Prozor prema van
Pogoni sa strane na okvir

Top hung window outward
opening. Actuators sideways
at the frame.



Prozor prema unutra
Pogoni sa strane na okvir

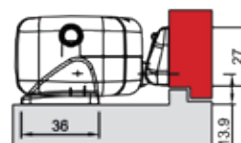
Bottom hung window
inward opening. Actuators
sideways at the frame.

Installation ways

Through red position blocks you see the
possible opening directions and installation
positions of actuators at the windows.
(find right some examples)

Installation examples will be shown as
technical details with frame (= color GREY)
and sash (= color RED).

Ilustracija okvira
Frame Illustration



Ilustracija prozora
Sash Illustration





Usluga premazivanja

Aluminijski pogoni i uz to pripadajući setovi konzola mogu se u bilo koju RAL i DB boju lakirati. Rado prilagođavamo boju prema vašim uzorcima, odnosno željama.

Coating service

Aluminium actuators and the associated bracket sets can be coated individually in all RAL or DB colors, whether wet painted or powder coated. We adjust ourselves according to your painted examples.



CAD detaljno planiranje

Za sve pogonske jedinice postoje individualno pripremljeni CAD crteži koji se mogu integrirati u vaše planiranje. Dodatno nudimo servis, SIMON PROtec pogonsku tehnologiju, prilagoditi vašim nacrtima.

CAD detailed planning

For all actuator and locking mechanism systems exist individual made CAD drawing kits, which you can integrate into your plans. Additionally we offer the service to set SIMON PROtec actuators into your finished drawings.



Dokumenti online

Dokumentacija od proizvoda, kao npr. upute za uporabu, tehnički detalji, CAD crteži i certifikati, dostupni su na web stranici: www.simon-protec.de

Documents online

Detailed product documents like user manuals, technical details, CAD drawings and certificates are available for download on our website: www.simon-protec.com



SIMON Kalkulator

Naš kalkulator vam pomaže u izračunavanju različitih parametara za vaš prozor, npr. aerodinamički protok i područje otvora, potrebnu snagu pogona i duljinu hoda. Možete napraviti odgovarajuće pogone za različite situacije ugradnje i kao registrirani korisnik, svoje rezultate možete spremiti.

SIMON Calculator

Our product calculator supports you in the mathematical calculation of various parameters for your window, e.g. aerodynamic flow value and opening area, necessary actuator force and stroke. You can determine suitable actuators for different installation situations and save your results as a registered user.



Oznake proizvoda

Pogonska i tehnologija okova od SIMON PROtec-a opisana je kako slijedi:

Primjer: PA-KL2-50/710-S

PA	Plug&Play
KL ²	Serija sa preklopnom rukom
50	Snaga 500 N
/	Varijanta odvajanja
710	Hod 710 mm
S	Sinkronizirani pogon

Primjer: EA-K-30/600-T-DA

EA	Električni pogon
K	Serija lančani pogon
30	Snaga 300 N
/	Varijanta odvajanja
600	Hod 600 mm
T	Tandem
DA	Dupli priključak

Product description

Actuators and locking mechanisms will be described as followed:

Example: PA-KL²-50/710-S

<i>PA</i>	<i>Plugged actuator</i>
<i>KL²</i>	<i>Series folding arm² actuators</i>
<i>50</i>	<i>Force 500 N</i>
<i>/</i>	<i>Variant separator</i>
<i>710</i>	<i>Stroke 710 mm</i>
<i>S</i>	<i>synchronous actuator</i>

Example: EA-K-30/600-T-DA

<i>EA</i>	<i>Electrical actuator</i>
<i>K</i>	<i>Series chain actuators</i>
<i>30</i>	<i>Force 300 N</i>
<i>/</i>	<i>Variant separator</i>
<i>600</i>	<i>Stroke 600 mm</i>
<i>T</i>	<i>Tandem</i>
<i>DA</i>	<i>Double connection</i>

SICO

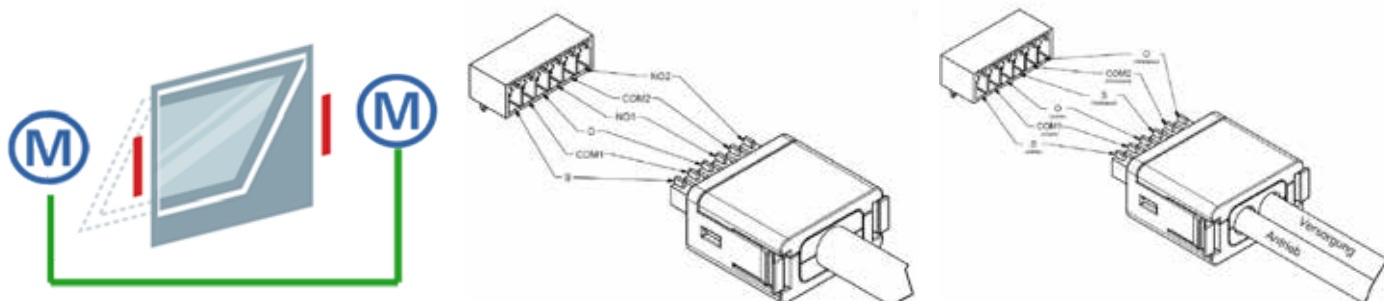
SICO

SICO Tehnologija (SIMON Connect & Communication) ujedinjuje tehnologiju polariteta i moderno BUS upravljanje procesima za pogone i upravljačke sisteme budućnosti.

SICO technology (SIMON Connect & Communication) combines proven pole reversing technology and modern BUS controlled processes for the actuators and control systems of the future.

SICO BUS tehnologija dozvoljava novu razinu komunikacije u pogonskoj i upravljačkoj tehnologiji. SICO BUS Sistem omogućuje umrežavanje različitih dijelova međusobno do tehnologije upravljanja zgradama. RWA- i upravljanje ventilacijom komuniciraju direktno sa pogonom. U hitnim slučajevima, izmjena polova će i dalje biti prioritet.

The SICO BUS technology allows a new level of communication in the actuator and control technology. The SICO BUS system enables the networking of different facility components with each other up to the building control system. SHEV and ventilation control systems communicate directly with the actuators for daily use. In case of emergency the pole switching technology will still have the highest priority.



Savršeno sinkronizirano *Perfectly synchronous*

SICO je pojam za funkcije i prilagođavanje na nove i postojeće pogonske sisteme. Sa imenom PA (Plugged Actuator) umjesto EA, korisnik odmah prepoznaje SICO pogone. RWA pogoni su prema DIN EN 12101-2 u kombinaciji sa različitim profilima testirani i mogu se koristiti za kontroliranu prirodnu ventilaciju kao i za odvod dima. Sinkronizirani PA-pogoni komuniciraju preko BUS-a unutar pogonske grupe i reguliraju međusobno redosljed (Master-Slave Funktion), što rezultira savršenom sinkronizacijom.

SICO is the overall term for a number of functions and adaptations to new as well as known actuator systems. With the product name PA (Plugged Actuator) instead of EA the user immediately recognizes SICO capable actuators. The SHEV-capable actuators are tested according to EN 12101-2 in connection with different profiles and can be used for controlled natural ventilation as well as for smoke ventilation. Synchronized PA actuators communicate via BUS within the actuator group and control each other's running behaviour (Master-slave function). This is „real“ synchronization.



SICO PLUG utikač
SICO PLUG connection cable



SICO PLUG utikač
SICO PLUG connection cable



SICO PLUG INSTALL
SICO PLUG INSTALL

SICO PLUG

SICO PLUG Utikač i kabel

SICO PLUG connection plug and cable

- 6-žični kabel, presjek jezgre 0,75 mm², sa SICO PLUG gotovo montirano
Connecting cable 6-wire, wire cross-section 0.75 mm², fully assembled with SICO PLUG
- Može se koristiti za sve PA-pogone
Usable for all PA actuators
- SICO PLUG INSTALL je komplet ergonomski oblikovanih SICO PLUG konektora za podršku višestrukih usluga.
The SICO PLUG INSTALL is a kit of an ergonomic designed SICO PLUG connector for the support of various installation services.



SICO USB-110 adapterski kabel
SICO USB-110 adapter cable

SICO LINK softver za dijagnostiku i parametriranje
SICO LINK Diagnostic and parameterization software

SICO  **LINK**

SICO LINK softver

SICO LINK software

Softver za dijagnostiku i parametriranje za analizu SIMON PROtec proizvoda.
Uključuje SICO USB-110 adapterski kabel.

*Diagnostic and parameterization software for the maintenance and analysis of
SIMON PROtec products. Included is a SICO USB-110 adapter cable.*

Preklopna ruka

Stranica 12 do 19

Pogonska tehnologija sa snagom i estetikom: Premium RWA pogon sa preklopnom rukom je izvrstan inovativan razvoj SIMON PROtec-a.

Pogoni serije sa preklopnom rukom imaju otvaranje, koje je jedinstveno na tržištu. Uvjerite se u njegove mnoge načine primjene.

12 PA-KL²

Inovativna pogonska tehnologija sa SICO BUS tehnologijom za savršenu sinkronizaciju pogona. „Plug&Play“ (PA) preklopna ruka snažan je pogon i sa svojim lijepim dizajnom idealan je za projekte sa visokim estetskim zahtjevima – pogotovo za velike i teške prozore.

16 PA-KL²-DF

Čvrsto na okviru ili na prozoru montiran, PA-KL-DF otvara i zatvara prozore na kip i zaokretne prozore, pomoću specijalne klizne konzole, zbog koje su moguće velike širine otvaranja, preko 140°.

Innovative folding arm² actuator technology with SICO BUS technology for perfect synchronization between individual actuators. The „plugged actuator“ (PA) folding arm² is a very powerful actuator and with its stylish design ideal for projects with high aesthetic demands - especially for large and heavy windows.

Fixed to the sash or the frame the PA-KL²-DF opens and closes tilt and turn and top hung windows through a special sliding track. So very wide opening angles over 140° are possible.



Folding Arm²

Pages 12 to 19

Actuator technology with power and style: The premium smoke vent actuator Folding Arm² is an extraordinary and innovative development of SIMON PROtec. Actuators

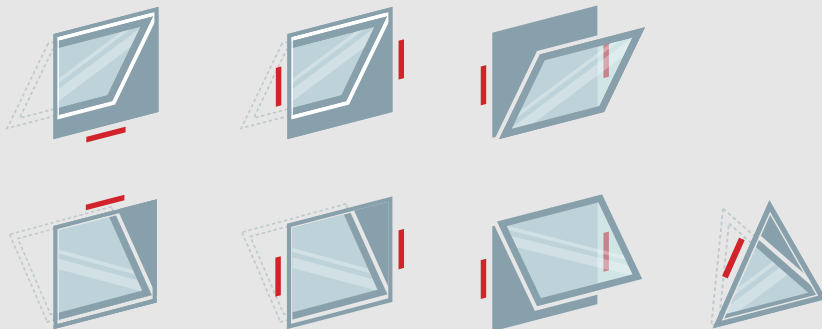
of the Folding Arm² series have an opening kinematics which is unique in the market. Convince yourself about many different applications.

18 PA-KL²-T

Ova specijalna verzija sa preklapnom rukom je koncipirana za uporabu kod vrata. Montira se na okvir vrata i u slučaju nužde PA-KL-T otvara evakuacijske izlaze i ventilacijske otvore.

This special version of the Folding Arm² is made for the usage in doors. Set either on the frame or in the reveal the PA-KL²-T opens in case of a fire and shows the escape routes and provides fresh air.







PA-KL pogoni imaju standardnu zaštitu IP 54, ali mogu prema želji kupca imati i certificiranu zaštitu IP 65. Pogoni sa preklopnom rukom sa zaštitom IP 65 imaju fiksni kabel.

PA-KL² actuators have an IP 54 protection class as standard, but can also be supplied with IP 65 certification on customer request. The Folding Arm² actuators with IP 65 protection have a fixed connecting cable.

Preklopna ruka² PA-KL²

Folding Arm² PA-KL²



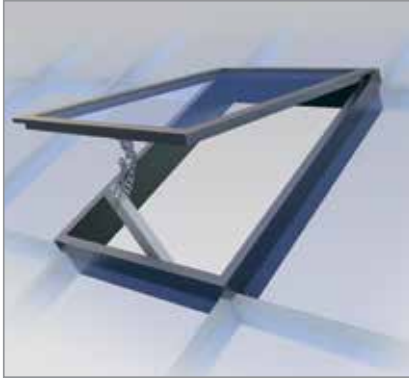
PA – Plug&Play sa inovativnom SICO BUS tehnologijom za savršene sinkronizacije među pogonima. PA-KL je snažan pogon sa preklopnom rukom i sa svojim lijepim dizajnom idealan je za projekte sa visokim estetskim zahtjevima – pogotovo za velike i teške prozore.

PA - Plugged Actuator with innovative SICO BUS technology for perfect synchronization between individual actuators. The PA-KL² is a very powerful folding arm² actuator and with its elegant design ideal for projects with high aesthetic demands - especially for large and heavy windows.

Prednosti / karakteristike

Advantages / performance characteristics

- Minimalna dubina ugradnje
Smallest installation depth without competition
- Otvaranje unutar 60 sekundi
Opening time within 60 seconds

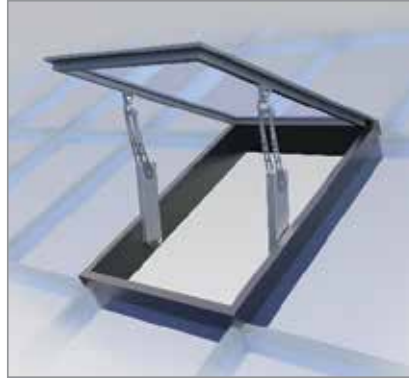


^ Upotreba u potkrovlju

Pogon na sredini donjeg ruba

Roof application

One actuator in the middle of the closing edge

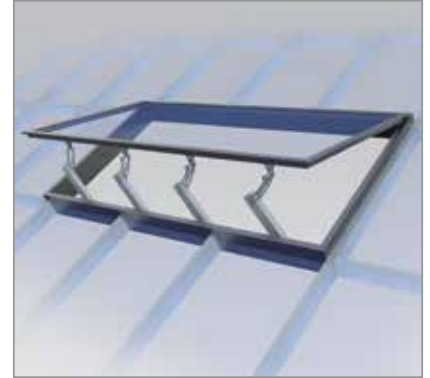


^ Upotreba u potkrovlju

Dva pogona na bočnim rubovima

Roof application

Two actuators are positioned sideways



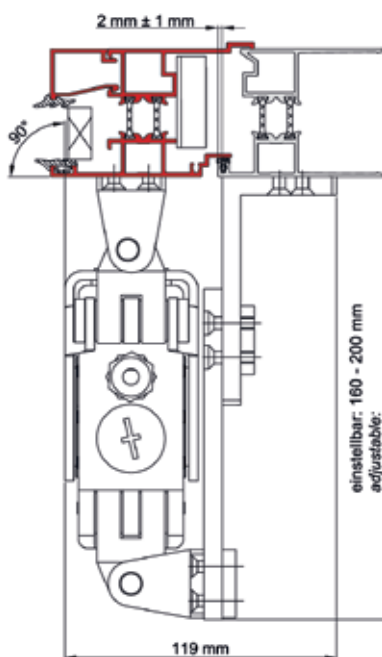
^ Upotreba u potkrovlju

Četiri sinkronizirana pogona na donjem rubu

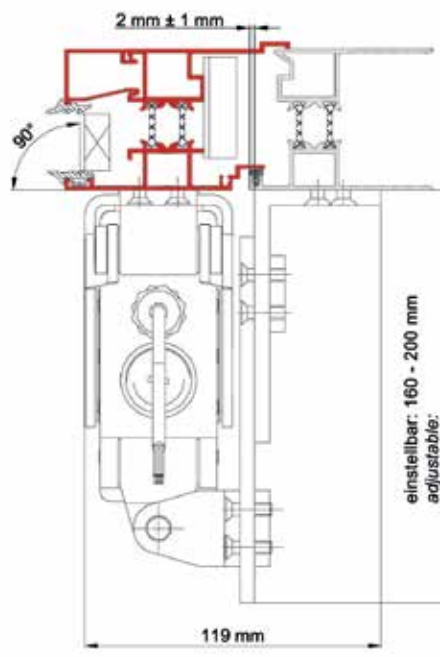
Roof application

Four actuators synchronized on the closing edge

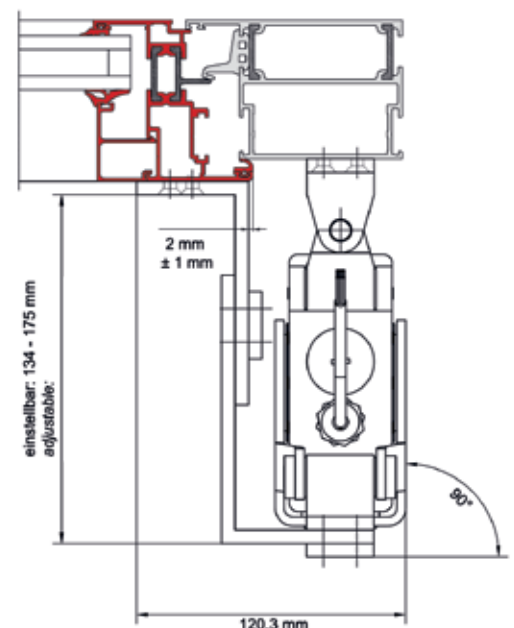
Vrste ugradnje Installation possibilities



K-KL²-M



K-KL²-S

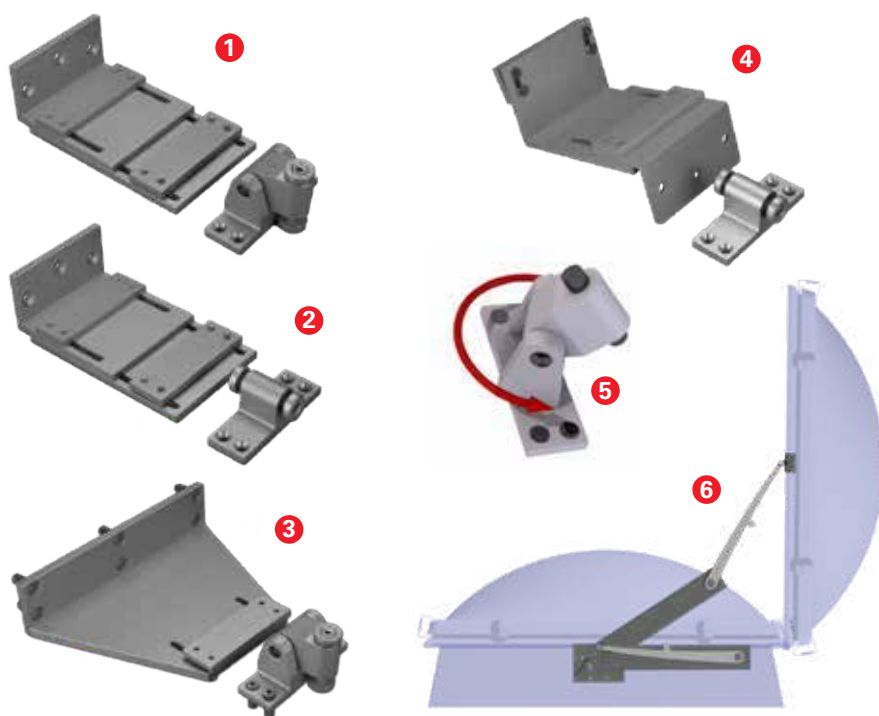


K-KL²-I



Struja 24 VDC	1.4 - 3.0 A	Current » 24 VDC
Struja 230 VAC	0.33 A (mit AP-N-3/6)	Current » 230 VAC
Duljina hoda	530 - 1200 mm	Stroke
Snaga	500 - 1000 N	Force
IP zaštita	IP 54 / IP 65	Protection class
Brzina	14 mm/s	Speed
Temperaturni raspon	0° - +75°C	Temperature range
Težina	≤ 7.6 kg	Weight
Površina	Alu E6/EV1	Surface

Konzole *Brackets*



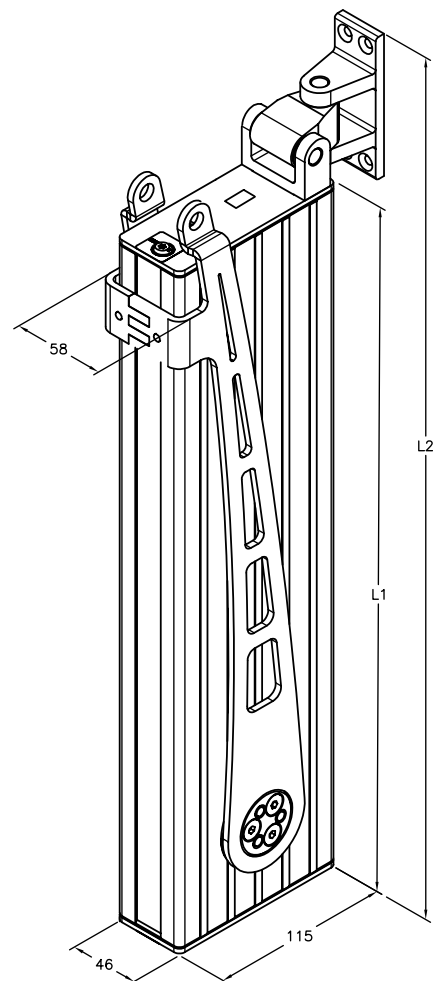
- | | | |
|---------------------------------------|-----------------------------------------|-------------------------------------------|
| 1. K-KL ² -M | Prema van glavni rub za zatvaranje | <i>Outward - main closing edge</i> |
| 2. K-KL ² -S | Prema van sporedni rub za zatvaranje | <i>Outward - side closing edge</i> |
| 3. K-KL ² -M(S)-
AW57RO | Za Schüco AWS 57 RO | <i>For Schüco AWS 57 RO</i> |
| 4. K-KL ² -I | Prema unutra sporedni rub za zatvaranje | <i>Inward - side closing edge</i> |
| 5. K-KL ² -M3D | Za trokutaste i trapez prozore | <i>For triangle and trapezoid windows</i> |
| 6. | Montažni komplet za svjetlosne kupole | <i>Mounting kit for light domes</i> |

Ostale konzole za različite proizvođače profila:

More brackets for various profile manufacturers:

RAICO npr. 100/120RI, WICONA, ALUPROF i mnoga druga individualna rješenja.

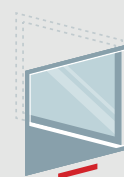
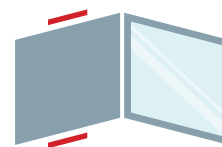
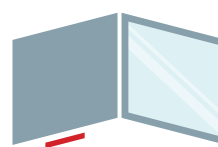
RAICO e.g. 100/120RI, WICONA, ALUPROF and many more custom solutions



- Dužine L1:
Lengths L1:
 - PA-KL²-K = 340 mm
 - PA-KL² = 432 mm
 - PA-KL²-M = 557mm
 - PA-KL²-L = 680 mm
- Dužine L2:
Lengths L2:
 - PA-KL²-K = 409 mm
 - PA-KL² = 501 mm
 - PA-KL²-M = 626 mm
 - PA-KL²-L = 751 mm



24V



PA-KL²-DF *Zaokretno krilo sa fleksibilnom kliznom konzolom* *PA-KL²-DF rotary wing with flexible sliding element*



- Snažnan pogon zaokretnog krila sa SICO BUS tehnologijom za savršenu sinkronizaciju
Powerful rotary wing actuator with SICO BUS technology for perfect synchronization
- Otvara prozore prema unutra i prema van (panti lijevi/desni) preko 140°
Opens windows inwards and outwards (hinges left/right) over 140°
- Može se koristiti u kombinaciji sa električnim mehanizmom zaključavanja
Applicable in combination with additional electrical locking mechanism
- Podesiva odgoda pokretanja i kontrola redoslijeda rada
Free programmable start delay and sequence controlling

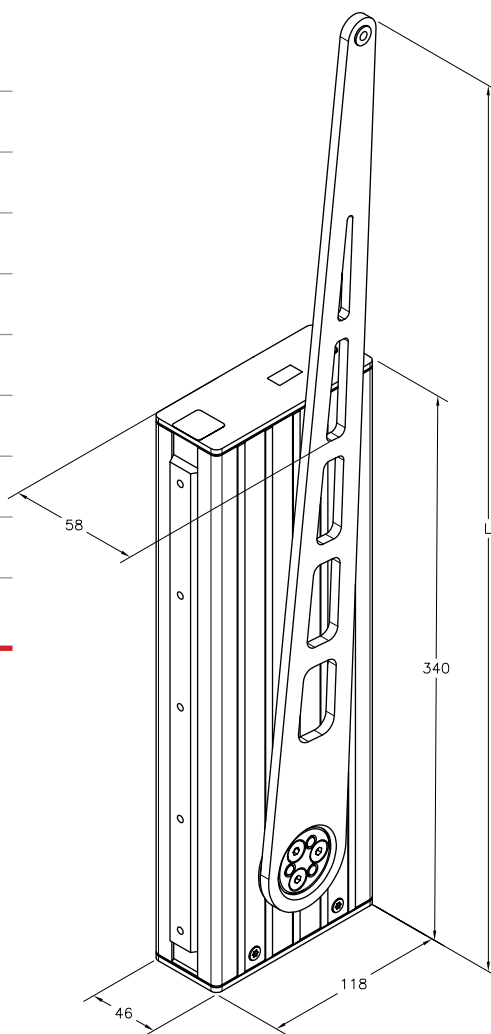
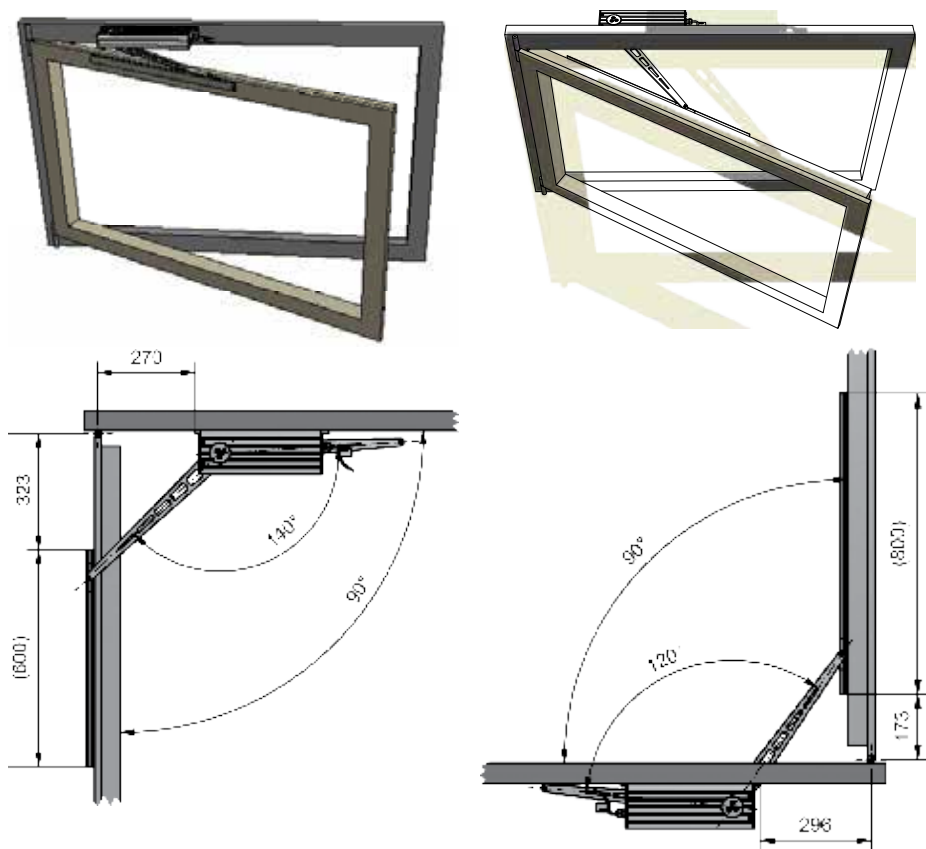


SIC

24
VDCDIN EN
12101-2

Struja » 24 VDC	1.1 – 1.5 A	Current » 24 VDC
Kut otvaranja 140°	140°	Opening angle
Snaga	400 - 500 N	Force
IP zaštita	IP 54	Protection class
Brzina	3 °/s	Speed
Temperaturni raspon	0° - +70°C	Temperature range
Težina	≤ 4.1 kg	Weight
Površina	Alu E6/EV1	Surface

Konzole *Brackets*



- Dužina L:
Length L:
 - PA-KL²-DF-K = 368 mm
 - PA-KL²-DF = 568 mm
- Setovi konzola:
Bracket sets:
 - K-KL²-DF-400 = 400 mm
 - K-KL²-DF-600 = 600 mm
 - K-KL²-DF-800 = 800 mm

Moguće različite vrste ugradnje za otvaranje prema unutra i prema van.
Various installation ways for inward and outward opening possible.



Tehničke promjene i greške pridržane. *Technical modifications and errors excepted.*



24V

PA-KL²-T Otvarač vrata

PA-KL²-T Door opener



- Automatsko otvaranje vrata u slučaju požara zbog svježeg zraka i prikazivanja puteva za bijeg
Automatic door opening in case of fire for fresh air and displaying escape routes
- Priključak E-otvarač i E-zatvarač / motorna brava
Connection for E-opening and E-closure lock
- Bez obzira na profil vrata na okviru i u otvoru // lijevo i desno
Independent from door profile, on door frame or in the reveal // left and right
- Slobodno podesiva odgoda pokretanja i kontrola redoslijeda rada
Free programable start delay and sequence controlling

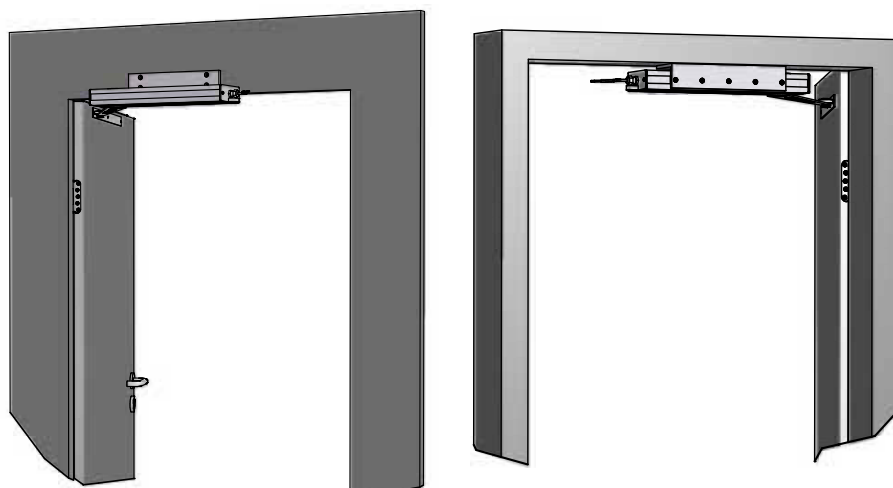


SIC

24
VDCDIN EN
12101-2

Struja » 24 VDC	1.2 – 3.0 A	Current » 24 VDC
Kut otvaranja	122°	Opening angle
Snaga	300 - 800 N	Force
IP zaštita	IP 54	Protection class
Brzina	2 °/s	Speed
Temperaturni raspon	0° - +75°C	Temperature range
Težina	≤ 6.2 kg	Weight
Površina	Alu E6/EV1	Surface

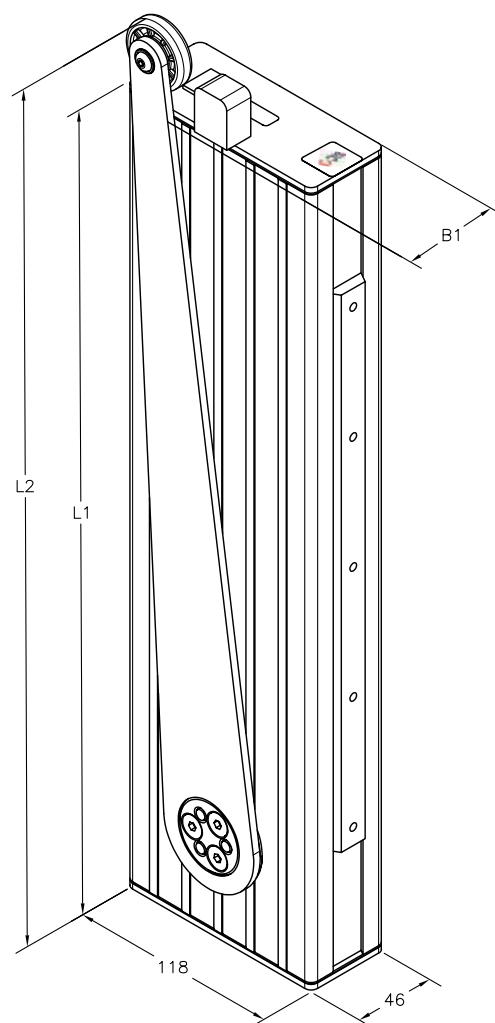
Vrste ugradnje *Installation ways*



Montaža moguća pomoću montažne ploče i nosača. Za otvaranje prema unutra i prema van, za samozatvarajuća vrata. Motor se ne spaja izravno na vrata.

Mounting with mounting plate or angle. For inward and outward opening, self-closing doors. The roller lever isn't connected to the door directly.

Konzole *Brackets*

K-KL²-TMPMontažna ploča / *Mounting plate*K-KL²-TMWMontažni nosač / *Mounting angle*

- Dužine L1:
Length L1:
 - PA-KL²-T-K = 340 mm
 - PA-KL²-T-30 /-50 = 432 mm
 - PA-KL²-T-80 = 432 mm
- Dužine L2:
Length L2:
 - PA-KL²-T-K = 382 mm
 - PA-KL²-T-30 /-50 = 474 mm
 - PA-KL²-T-80 = 574 mm

Lančani pogoni

Stranica 22 do 33

Često neprimjetan, a ipak je stručnjak među pogonskim sustavima. Sa svojim kompaktnim i vizualno privlačnim dizajnom uklapa se u svako pročelje i lijepo se prilagodi prozoru.

22 EA(230)-K-50

EA-K-50 je stručnjak među pogonskim sustavima. 500 N sila vučne i tlačne sile u kompaktnom kućištu.

The EA-K-50 is the master of actuator technology. 500 N push and pull force inside of a compact housing.

26 EA-K-65

Pouzdana i snažna. EA-K-65 nudi 650 N vučne i potisne sile.

Reliable and powerful. The EA-K-65 offers 650 N push and pull force.



Chain actuators

Pages 22 to 33

Often inconsiderable they are the masters of the actuator technology. With their tight and visually appealing construction the chain

actuators from SIMON PROtec fit themselves elegant in each façade and combine themselves with the window.

28 EA(230)-K-30

Savršena kompaktnost , nasljednik od EA-K-50. EA-K 30 nudi 300 N vučne i tlačne sile.

Compactness in perfection as smaller brother of the EA-K-50. The EA-K-30 offers 300 N push and pull force.

32 EA-KN-20-XS

Minimalne dimenzije nude korištenje unutar profila samog prozora.

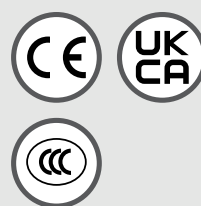
Most minimal dimensions offers an inside installation in the window profile.





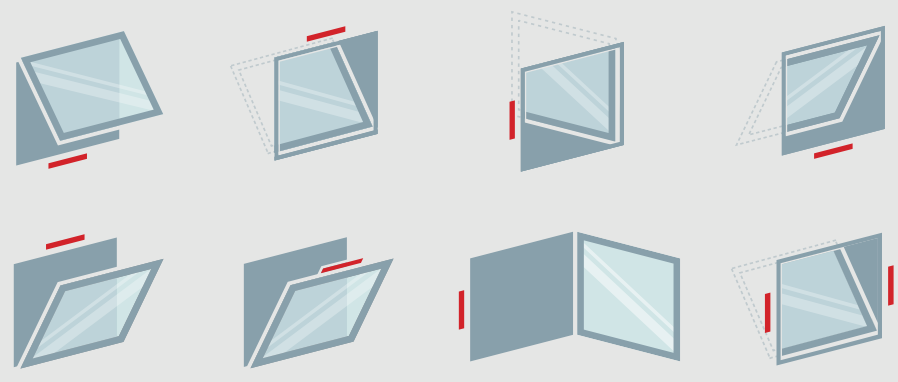
Lančani pogon EA (230)-K-50

Chain Actuator EA(230)-K-50



Često neprimjetan, a opet stručnjak među pogonskim sustavima. Sa svojim kompaktnim i vizualno privlačnim dizajnom uklapa se u svako pročelje i lijepo se prilagodi prozoru.

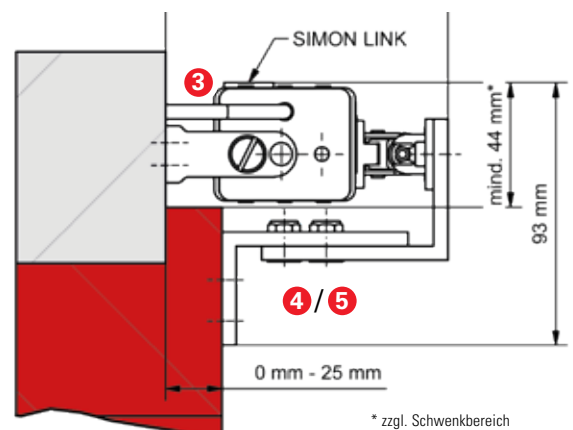
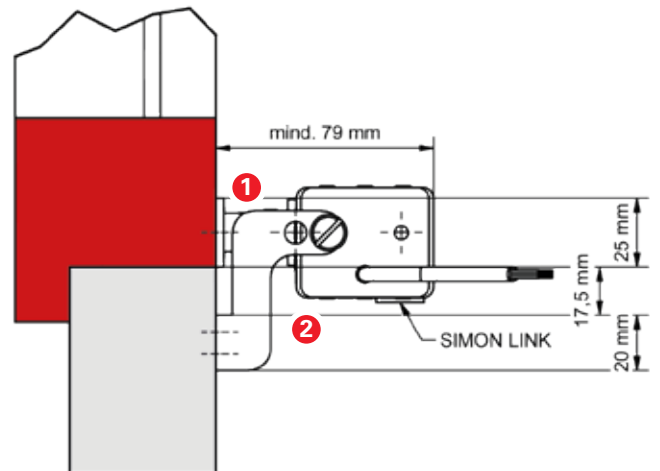
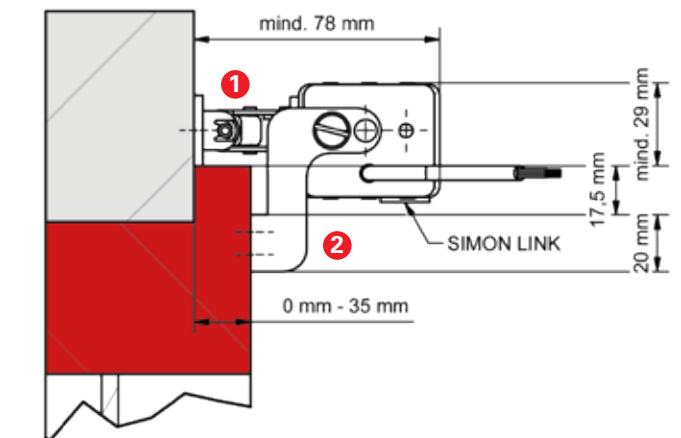
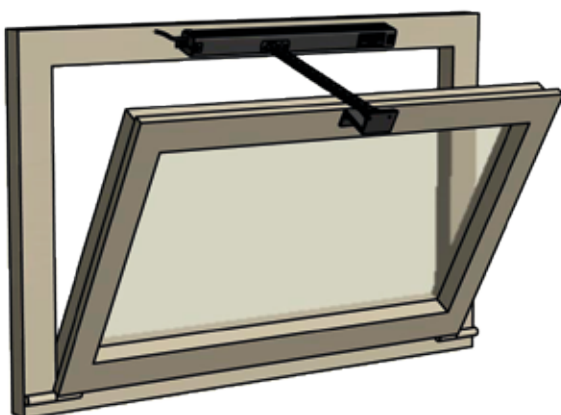
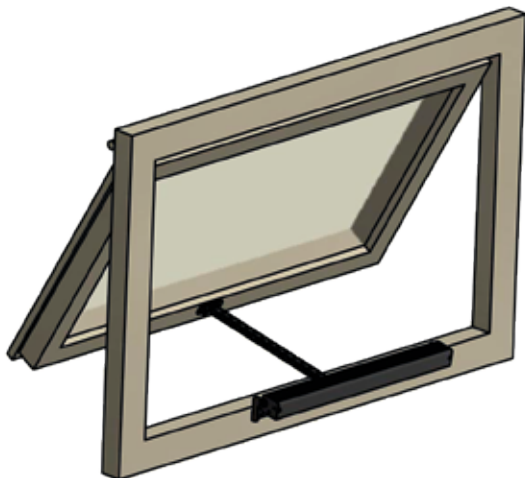
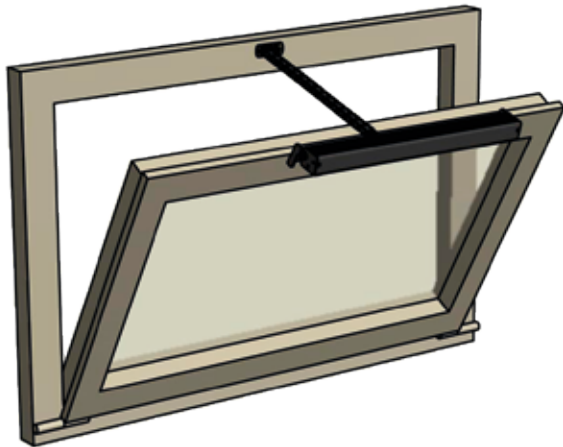
Often inconsiderable but it is the master of the actuator technology. With its tight and visually appealing construction it fits itself elegant in each facade and combines itself with the window.



Prednosti /
Karakteristike

Advantages /
performance characteristics

- Moderan lančani pogon
The modern chain actuator
- Gotovo bešumno, snažno i pouzdano otvaranje i zatvaranje
Soundless and powerful. Opens and closes reliably
- Polagano otvaranje i zatvaranje
Soft start & soft close



* zzgl. Schwenkbereich
* plus pivoting range

Tehnički podaci

Technical Data

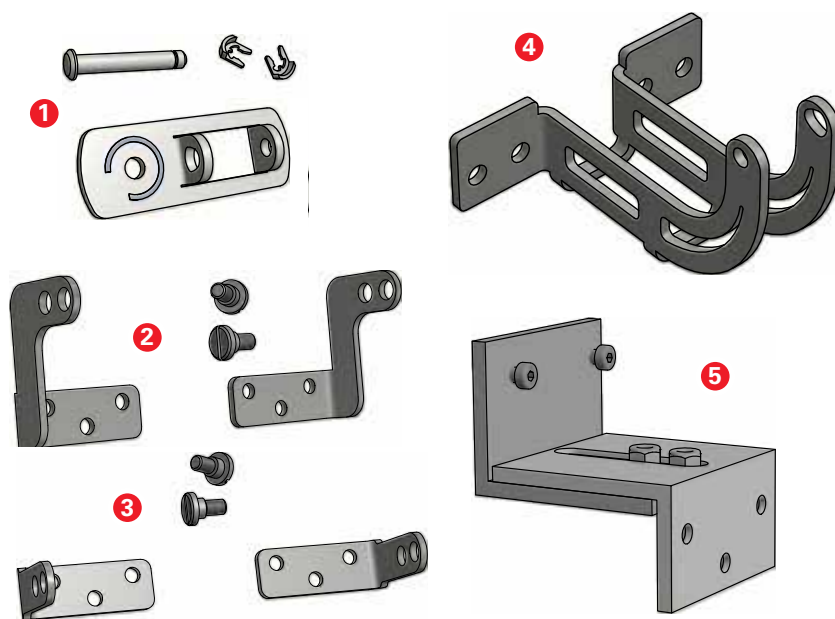
Dimenzije

Dimensions



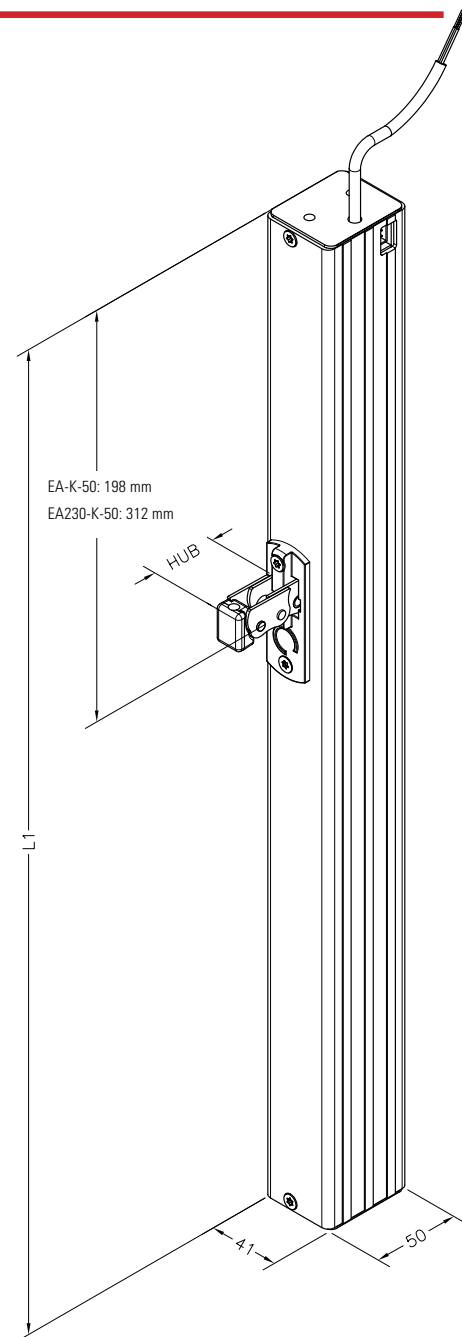
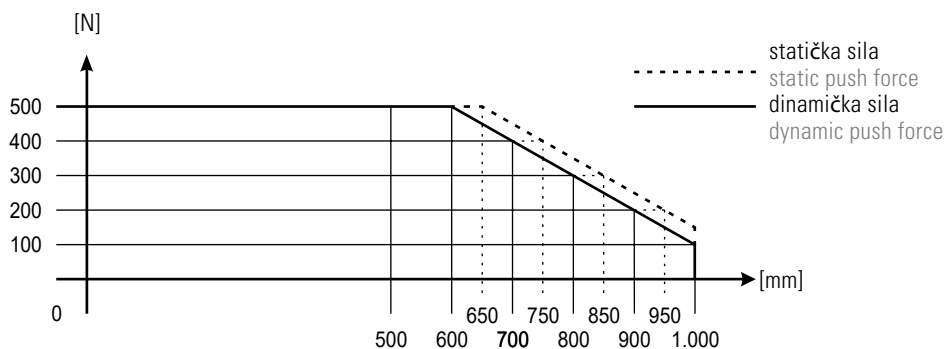
Struja » 24 VDC	1.4 A	Current » 24 VDC
Struja » 230 VAC	0.15 A	Current » 230 VAC
Dužina hoda	300 – 1200 mm	Stroke
Snaga	500 N	Force
IP zaštita	IP 32	Protection class
Brzina	11 mm/s	Speed
Temperaturni raspon	-5° - +75°C	Temperature range
Težina	≈ 2,5 kg	Weight
Površina	Alu E6/EV1	Surface

Konzole Brackets



1. K-K50-OK Gornja konzola
2. K-K50-A Prema van i slobodna rotacija
3. K-K50-K Montaža prema unutra
4. K-K50-AKI AKI Montaža prema unutra
5. K-K50-SKI Montaža prema unutra

Top bracket
Outward opening and rotating
Inward opening at frame
Inward opening at sash
Inward opening at sash



• Dužine L1:

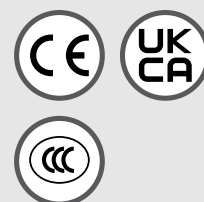
Lengths L1:

- EA-K-50/300(-T) = 430 mm
- EA-K-50/600(-T) = 580 mm
- EA-K-50/750(-T) = 655 mm
- EA-K-50/1000(-T) = 780 mm
- EA-K-50/1200(-T) = 880 mm
- EA230-K-50/300 = 546 mm
- EA230-K-50/600 = 696 mm
- EA230-K-50/750 = 771 mm
- EA230-K-50/1000 = 896 mm



Lančani pogon EA-K-65

Chain Actuator EA-K-65



Sa snagom od 650 N kompaktan lančani pogon EA-K-65 pouzdano zatvara i otvara prozore. Unatoč maloj dimenziji postiže visoke snage. To mu omogućuje jedinstvo između motora i prijenosnika koja je razvijena specijalno za EA-K-65.

With a force of 650 N the compact chain actuator EA-K-65 reliably closes and opens windows and flaps in all buildings. Despite its small dimensions, the actuator achieves high pressure forces. This is made possible by a motor-gear unit that was specially developed for the EA-K-65.



Struja » 24 VDC	1.9 A	Current » 24 VDC
Dužina hoda	300 – 600 mm	Stroke
Snaga	650 N	Force
IP zaštita	IP 32	Protection class
Brzina	13.7 mm/s	Speed
Temperaturni raspon	-5° - +75°C	Temperature range
Težina	≈ 2,5 kg	Weight
Površina	Alu E6/EV1	Surface

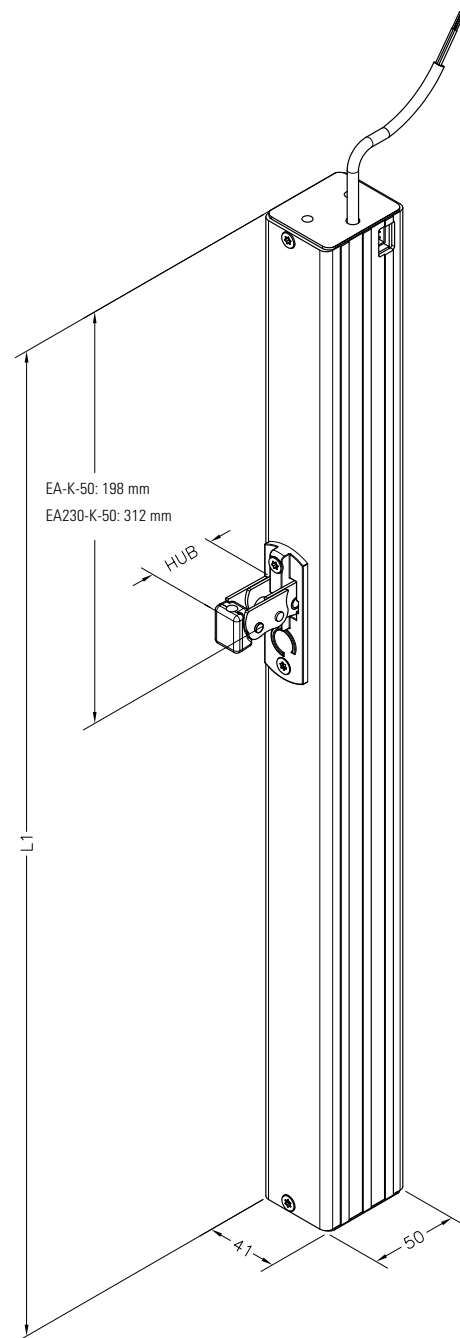
Prednosti / karakteristike

Advantages / performance characteristics

- Pouzdan lančani pogon sa puno snage
Reliable chain actuator with a lot of power
- Otvaranje i zatvaranje gotovo bešumno
Opens and closes almost without any sound
- Lagano otvaranje i zatvaranje
Soft start & soft close

Konzole Brackets

Mogu se koristiti iste konzole kao i za lančani pogon EA-K-50.
The same brackets can be used as for the chain actuator EA-K-50.



- Dužine L1:
Lengths L1:
 - EA-K-65/300(-T) = 430 mm
 - EA-K-65/600(-T) = 580 mm



Lančani pogon EA(230)-K-30

Chain Actuator EA(230)-K-30

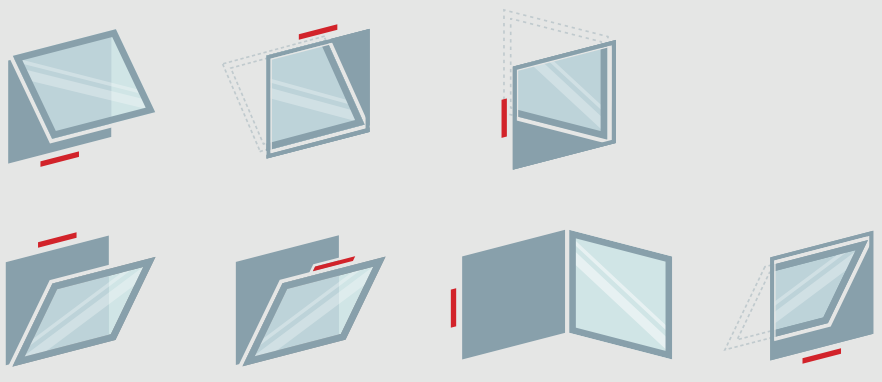


Sa lančanim pogonom EA-K-30 upotpunjuje se visoko kvalitetna pogonska familija EA-K sa kompaktnom, snažnom varijantom. Zovu ga nasljednikom od EA-K-50.

With the chain actuator EA-K-30 the product family around the technologically high quality actuator systems EA-K will be complemented by a compact and powerful version. It is the smaller brother of EA-K-50.



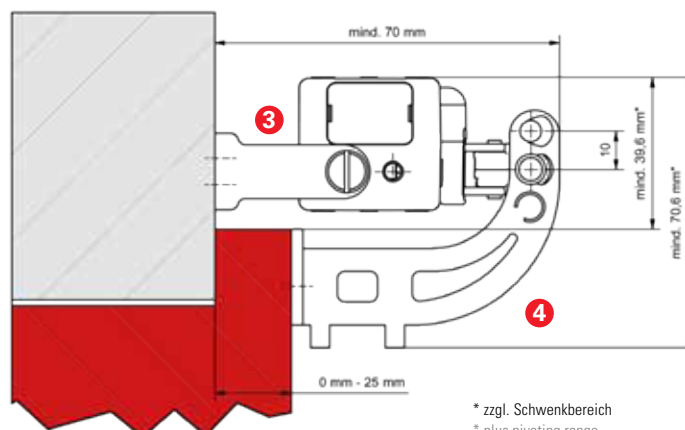
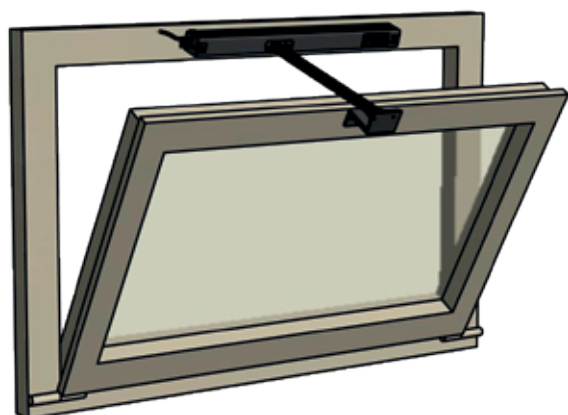
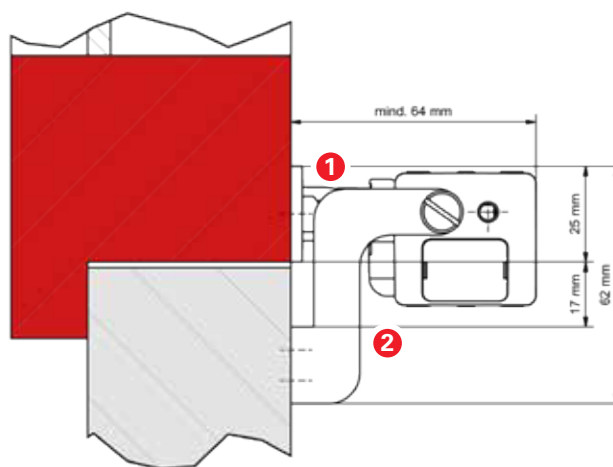
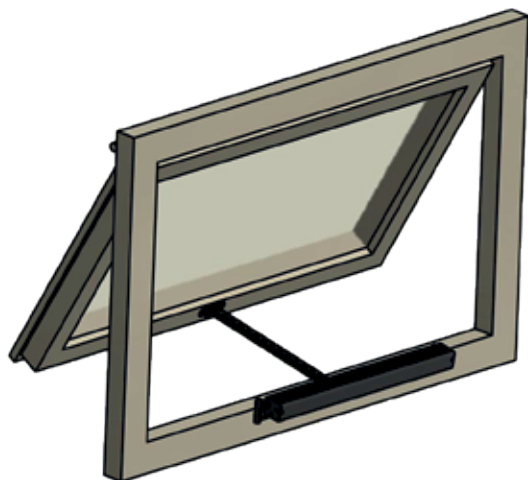
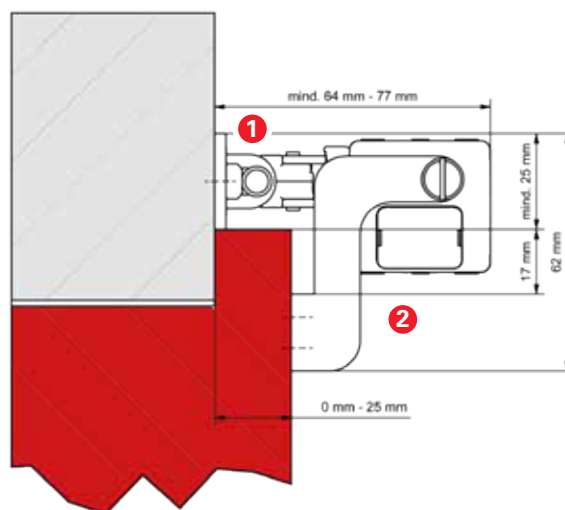
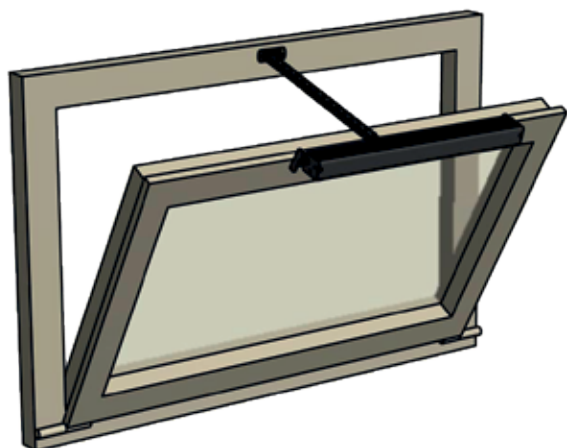
24V/
230V



Prednosti /
karakteristike

Advantages /
performance characteristics

- Priključni kabel sa utikačem
Connecting cable with plug
- Priključak obostrano moguć – DA varijanta
Connection possible on both sides - DA version
- Male dimenzije kućišta
Small casing dimensions



* zzgl. Schwenkbereich
* plus pivoting range

Tehnički podaci

Technical Data

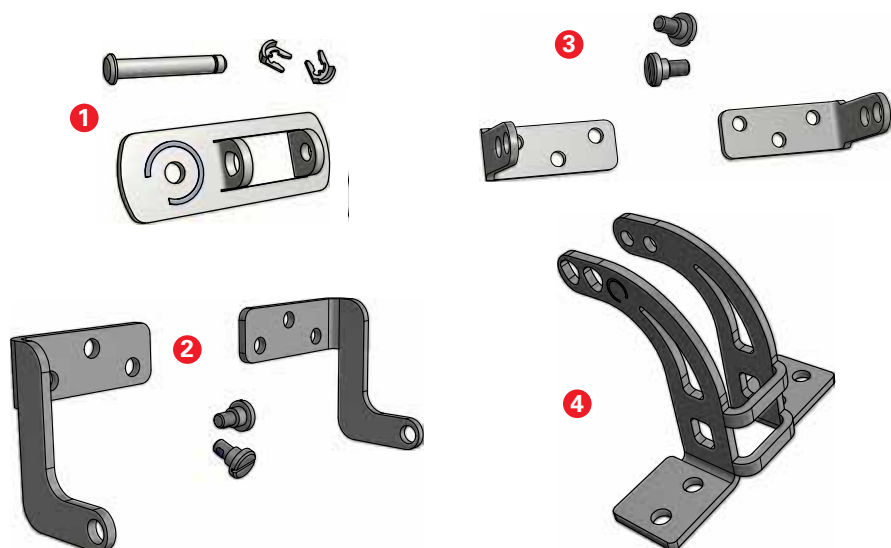
Dimenzije

Dimensions

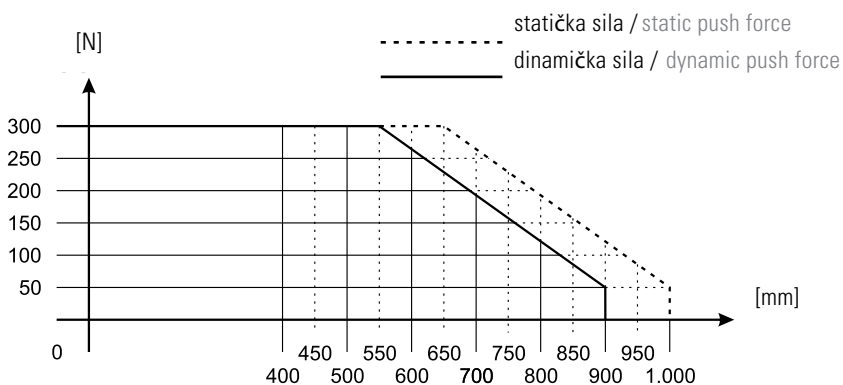


Struja » 24 VDC	1.0 A	Current » 24 VDC
Struja » 230 VAC	0.23 A	Current » 230 VAC
Dužina hoda	300 – 1200 mm	Stroke
Snaga	300 N	Force
IP zaštita	IP 32	Protection class
Brzina	10 mm/s	Speed
Temperaturni raspon	-5° - +75°C	Temperature range
Težina	≈ 1,5 kg	Weight
Površina	Alu E6/EV1	Surface

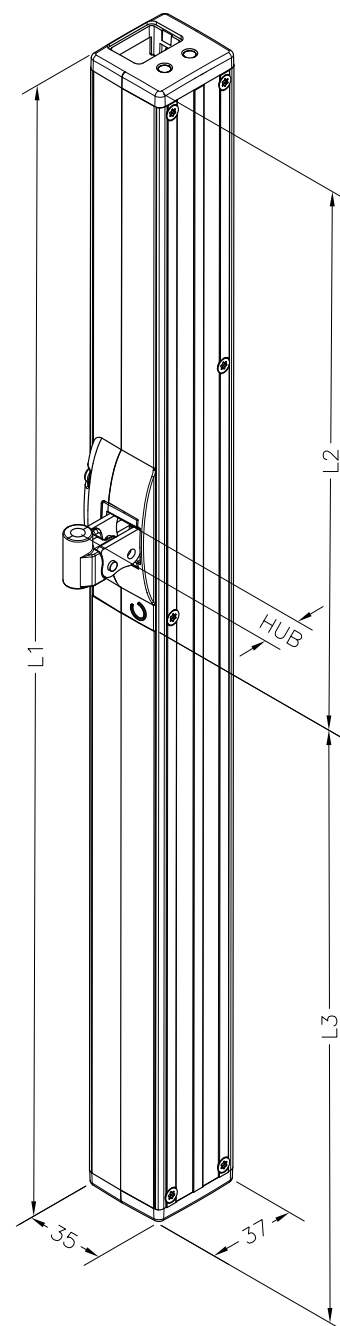
Konzole Brackets



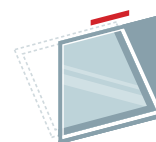
- | | | |
|--------------|--------------------------------|------------------------------|
| 1. K-K50-OK | Gornja konzola | Top bracket |
| 2. K-K30-A | Prema van i sa slobodnim hodom | Outward opening and rotating |
| 3. K-K30-K | Montaža prema unutra | Inward opening at frame |
| 4. K-K30-AKI | Montaža prema unutra | Inward opening at sash |



Tehničke promjene i greške pridržane. Technical modifications and errors excepted.



- Dužina L1:
Length L1:
 - EA-K-30/400-T(-DA) = 467 mm
 - EA-K-30/600-T(-DA) = 564 mm
 - EA-K-30/800-T(-DA) = 667 mm
 - EA-K-30/1000-T(-DA) = 764 mm
 - EA-K-30/1200-T(-DA) = 867 mm
- EA230-K-30/300-(S) = 468 mm
- EA230-K-30/600-(S) = 624 mm
- EA230-K-30/800-(S) = 727 mm
- EA230-K-30/1000-(S) = 824 mm



24V

Lančani pogon EA-KN-20-XS

Chain Actuator EA-KN-20-XS



- **Kompaktan način izrade**
Very compact design
- **Dizajniran za unutarnju montažu na profilu prozora**
Designed for installation inside of the window profile
- **Ograničenje dužine hoda pomoću DIP prekidača na 70 / 125 / 170 / 210 mm**
Stroke length limit through DIP switch at 70 / 125 / 170 / 210 mm

Tehnički podaci

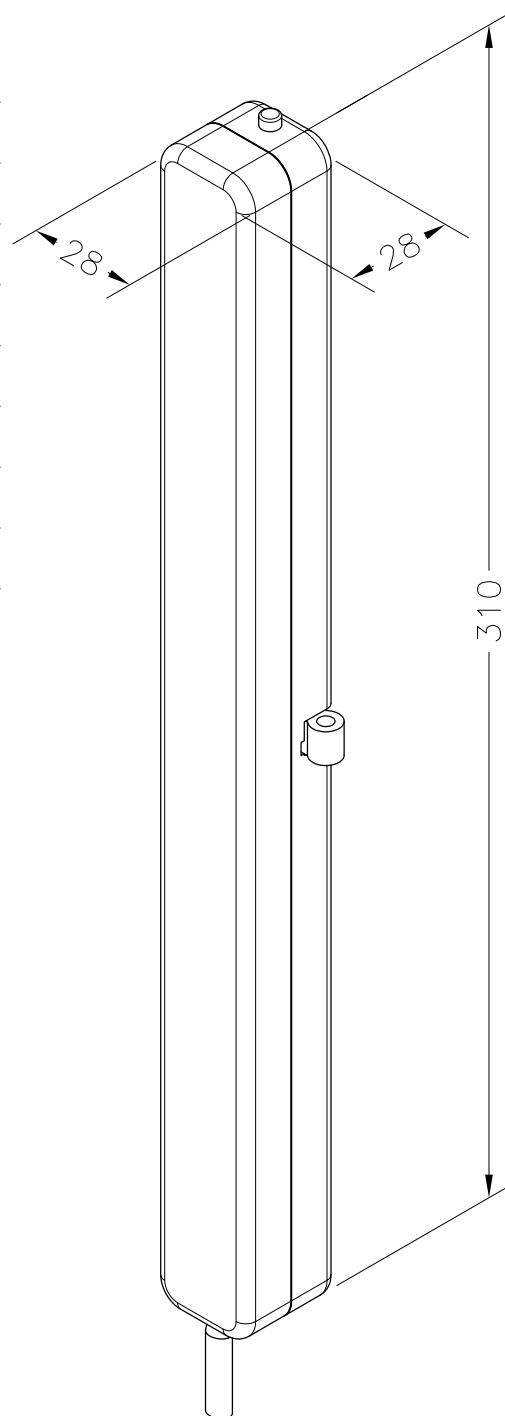
Technical Data

Dimenzije

Dimensions

24
VDC

Struja	0.32 A	Current
Dužina hoda	70 - 210 mm	Stroke
Snaga	150 N	Force
IP zaštita	IP 32	Protection class
Brzina	8 mm/s	Speed
Temperaturni raspon	-5° - +65°C	Temperature range
Težina	≈ 0.7 kg	Weight
Površina	Alu E6/EV1	Surface

Konzole *Brackets*

Standardne konzole za unutarnju montažu

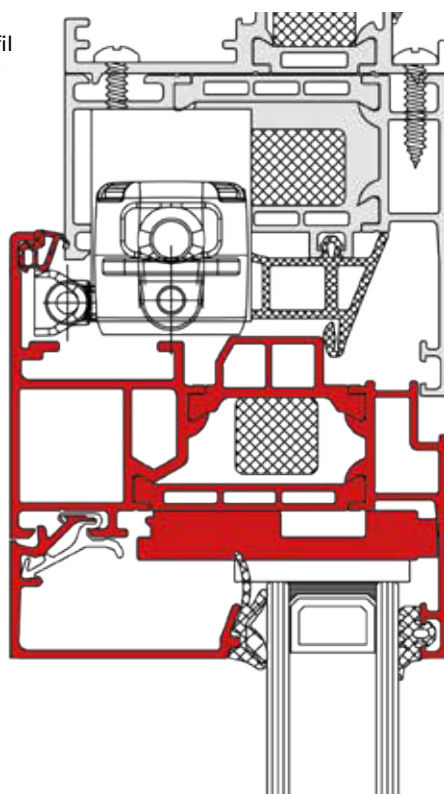
Standard brackets for inside installation

Ugradnja

Installation way

EA-KN-20-XS ugrađuje se direktno u profil prozora. Potreban prostor za ugradnju se treba napraviti u procesu proizvodnje prozora.

The EA-KN-20-XS will be set directly into the window profile. The required space shall be provided during the manufacturing of the window itself. Necessary .dwg files are available.



Linearni pogoni

Stranica 36 do 51

Linearni pogoni od SIMON PROtec-a su opremljeni sa svim karakteristikama, koji se očekuju od modernih pogona, sa niskom potrošnjom energije i učinkovitom upotrebom energije. Pogoni rade tiho i prikladni su također za velike prozore.

36 EA-L / EA-L-LF

Vizualno privlačan u uskom profilu cilindra, EA-L sa niskom razinom buke, ostvaruje do 1000 N snage kod hoda dužine 1000 mm.

Good-looking in a small cylinder profile the EA-L performs nearly soundless up to 1000 N force at 1000 mm stroke.

42 EA-L/S / EA-L/S-A

Patentirana pogonska kinematika otvara velike prozore, koji se otvaraju i prema unutra i prema van.

Patent protected actuator kinematics provides huge opening angles for inward and outward opening windows.

40 PA-L-180

Linearni pogon služi za velika opterećenja do 1800 N po pogonu i 4 komada u sinkroniziranom radu.

The heavy load spindle actuator is made for heavy loads up to 1800 N per actuator and four units in synchronous operation.

44 EA-SZ

EA-SZ zupčasti pogon napravljen je za industriju, s maksimalnom učinkovitošću.

The EA-SZ rack and pinion actuator is made for industrial applications with a maximum efficiency.



Linear actuators

Pages 36 to 51

The linear actuators from SIMON PROtec are equipped with all characteristics that can be expected of modern actuators and shine with low current consumption and an effecti-

ve power utilization. These actuators are quiet in operation and are ideal for applications with heavy duty windows or large skylights.

46 EA-L/S-1000/48

48 EA-L 120 / EA-L 165

Ove dvije vrste pogona idealni su za automatsko otvaranje i zatvaranje prozora s lamelama.

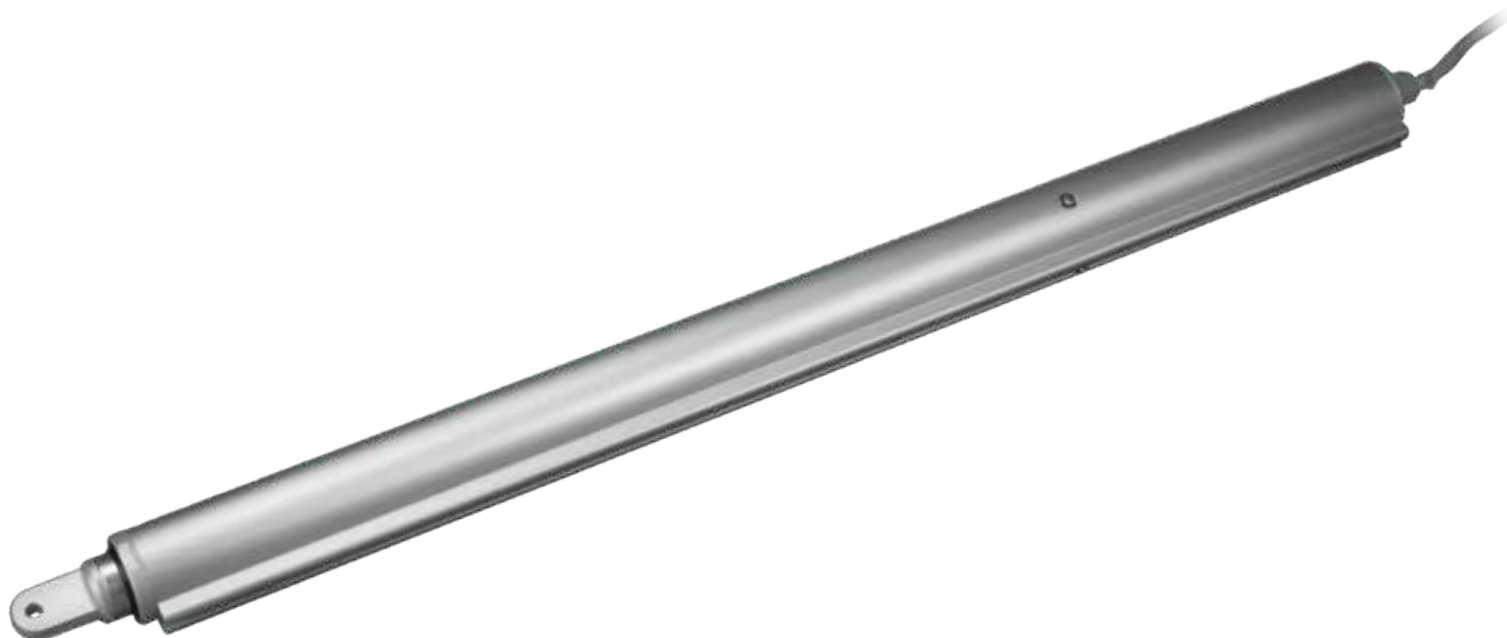
Both types of actuators are the ideal solution for automatic open and close of louvre windows.

50 SHEV-FLAP

Vremenski uvjeti ne utječu na odvod dima.

Wind direction-independent weather-protected smoke extraction system for elevator shafts and smoke shafts.





Linearni pogon EA-L

Linear actuator EA-L



Ovaj linearni pogon nudi mnogobrojne mogućnosti primjene. U području standardnih pogona karakterizira ga nekoliko jedinstvenih karakteristika, koje linearni pogon čine što jednostavnijim za korištenje.

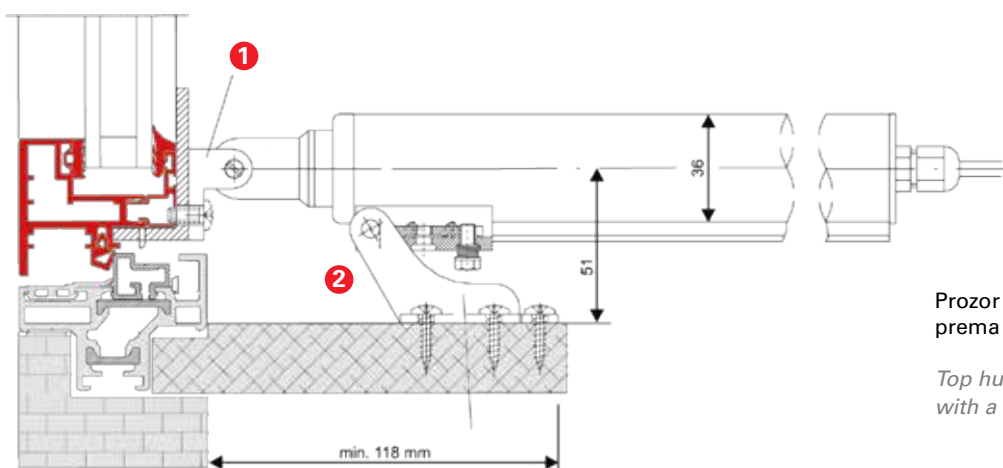
This spindle actuator offers a multitude of application options. In the range of standard actuators it is characterized by a couple of unique selling points which make application as easy as possible for you.

Prednosti / karakteristike

Advantages / performance characteristics

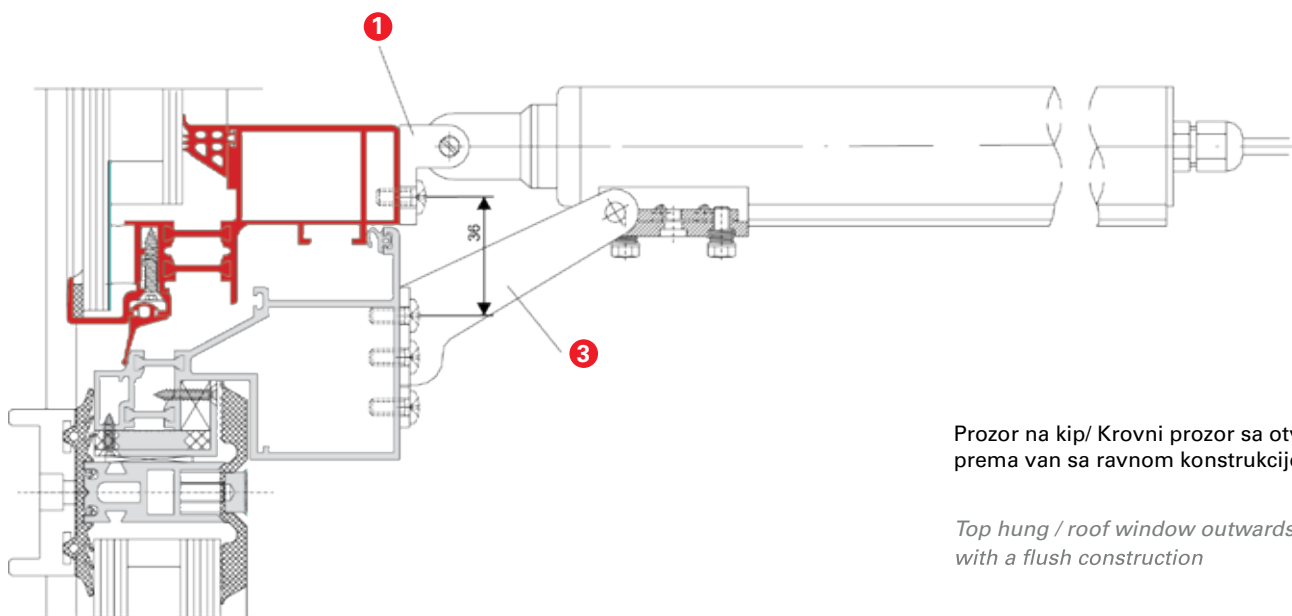
- **Maksimalna snaga unatoč maloj dimenziji**
Maximum strength despite small diameter
- **Integrirano rasterećenje**
Integrated overload cutoff
- **EA-L-30 300 N / 1000 mm ispod 60 sekundi (Simon Link)**
EA-L-30 high-speed acuator 300 N / 1000 mm under 60 seconds (Simon Link compatible)
- **Tandemske i sinkronizirane varijante (do 4 pogona) – integrirano upravljanje**
Optional tandem and synchro versions (up to four actuators) - control unit integrated
- **Fleksibilni setovi konzola**
Flexible bracket sets

Vrste ugradnje *Installation ways*



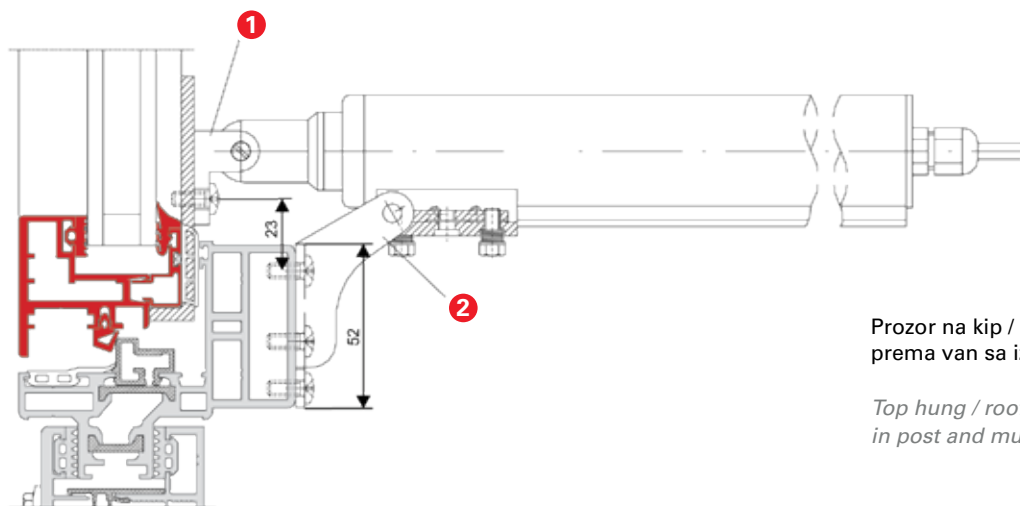
Prozor na kip / Krovni prozor sa otvaranjem prema van sa širokom konstrukcijom

Top hung / roof window outwards with a wide reveal



Prozor na kip/ Krovni prozor sa otvaranjem prema van sa ravnom konstrukcijom

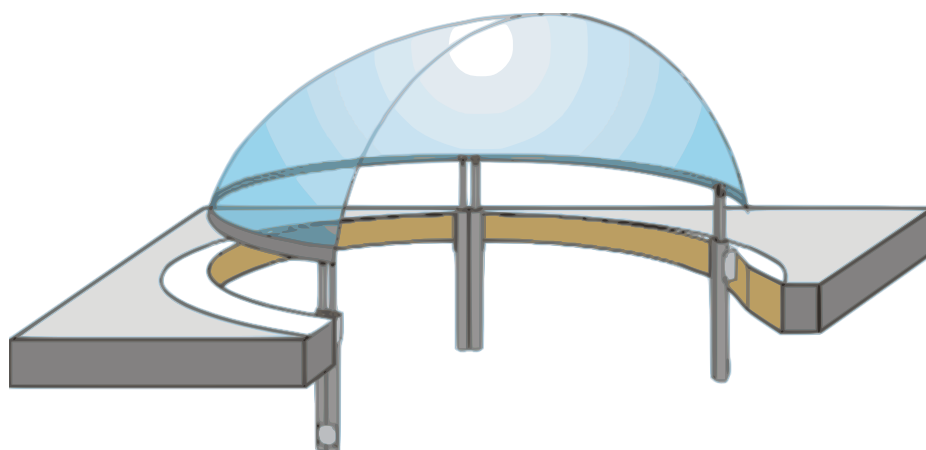
Top hung / roof window outwards with a flush construction



Prozor na kip / Krovni prozor sa otvaranjem prema van sa izbočenom konstrukcijom

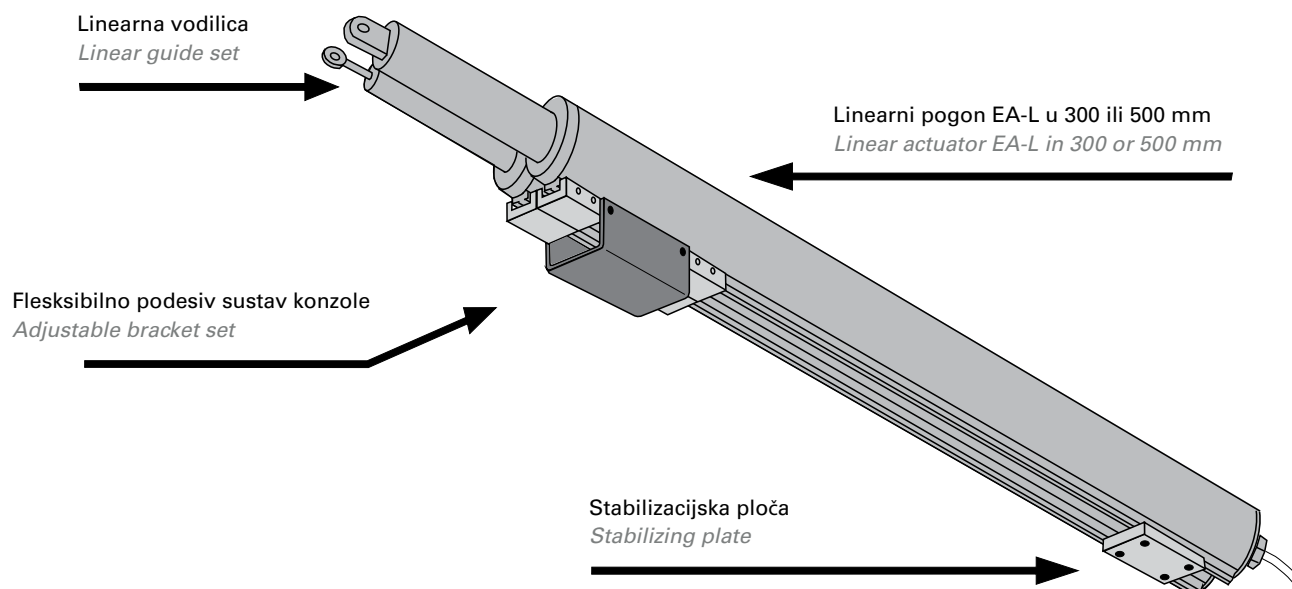
Top hung / roof window outwards in post and mullion construction

Specijalno rješenje EA-L-LF linearna vodilica *Special solution EA-L-LF linear guide set*



Linearna vodilica osigurava i pojedinačno korištenje kao i u kombinaciji s linearnim pogonom, tip EA-L za besprijekorno okomito vođenje podizanja krovnih elemenata i staklenih kupola. Zbog toga su sile npr. zbog vjetrova, pouzdano upravljane.

For lifting domes or pyramids safely without distortion due to side winds. A 16 mm stainless steel guide tube running in a vertical bearing ensures the smooth operation of the opening light. Works in combination with a spindle actuator.



Tehnički podaci

Technical Data

Dimenzije

Dimensions



Struja	1.0 - 1.4 A	Current
Dužina hoda	200 - 1000 mm	Stroke
Snaga 500	500 / 750 / 1000 N	Force
IP zaštita	IP 54	Protection class
Brzina	4.5 - 8.5 mm/s	Speed
Temperaturni raspon	-5° - +75°C	Temperature range
Težina	≈ 1.5 - 3.5 kg	Weight
Površina	Alu E6/EV1	Surface

**samo EA-L-30/only EA-L-30*

Konzola Brackets

1



Gornja konzola OK
Top bracket OK

2



Donja konzola - UK - L
Bottom bracket - UK-L



Stražnja konzola - klizna - HK - L
Back bracket - adjustable - HK-L



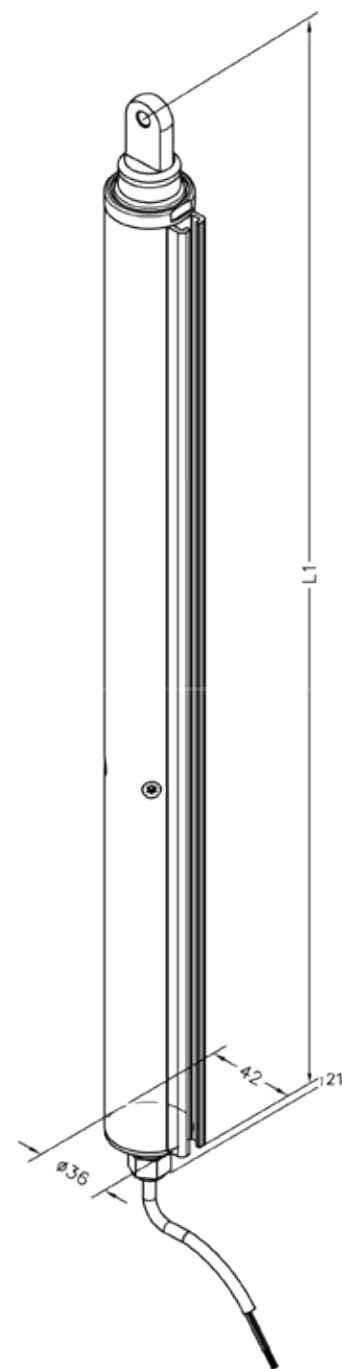
Donja konzola - s većim pomakom -
odgovara za mnoge svjetlosne kupole -
K-L-UK-J

*Bottom bracket - with larger offset -
suitable for many light dome systems -
K-L-UK-J*

Na upit, dostupno Više setova konzola za različite prozorske profile i svjetlosne kupole. Opsežniji crtež dostupan pod download.

Further brackets sets for various windows profiles and light domes available on request. Extensive drawing set available for download.

Tehničke promjene i greške pridržane. *Technical modifications and errors excepted.*

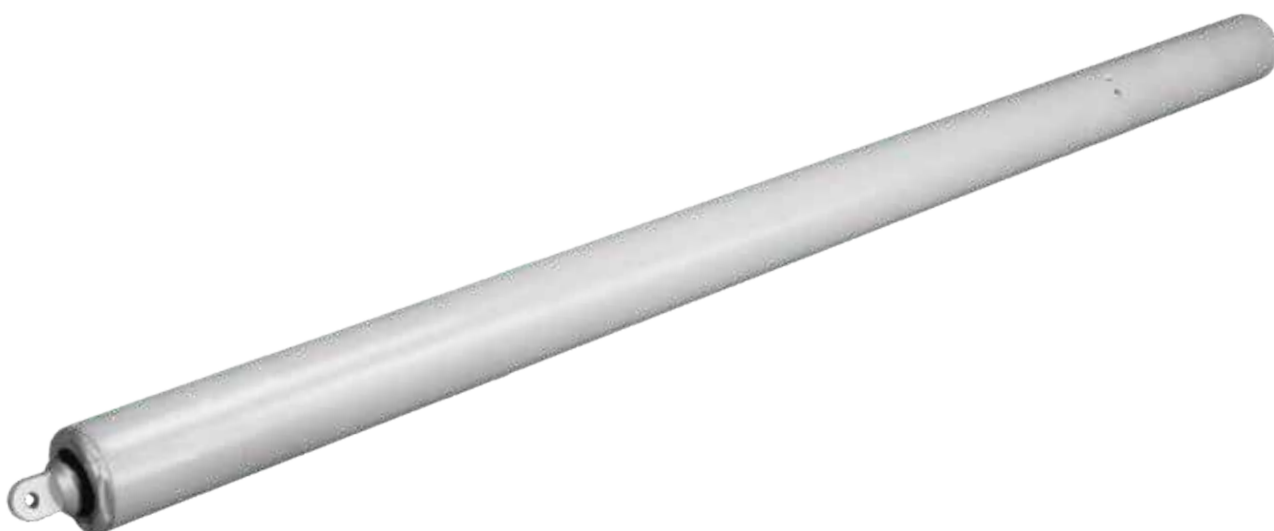


Hod kod dužine L1:
Stroke at length L1:

- 200 mm	= 536 mm
- 300 mm	= 636 mm
- 500 mm	= 836 mm
- 750 mm	= 1086 mm
- 1000 mm	= 1336mm

Ukupna dužina do kraja uvodnice:
336 mm (Motor,...) + Hub+21 mm (uvodnica)

*Total length until the end of cable fitting:
336 mm (motor, ...) + stroke + 21 mm (cable fitting)*



Linearni pogon PA-L-180 Teška opterećenja

Linear actuator PA-L-180 Heavy Load



RWA-pogoni kategorije „Linearni pogoni“ poznati su po svojoj svestranoj uporabi, čak i kod teških opterećenja. Sa PA-L-180 stoji linearni pogon na raspolaganju za teška opterećenja do 1800 N. Rasterećenje je vanjsko.

This spindle actuator offers a multitude of application options, even under highest demands. With the PA-L-180 spindle actuator you will get an actuator who is developed for heavy loads over 1800 N. The cut-off control is external.

Tehnički podaci

Technical Data

Dimenzije

Dimensions

24
VDCDIN EN
12101-2

Struja	4.0 A	Current
Dužina hoda	1000 mm	Stroke
Snaga	1800 N	Force
IP zaštita	IP 54	Protection class
Brzina	12.5 mm/s	Speed
Temperaturni raspon	-5° – +75°C	Temperature range
Težina	5.7 – 8.8 kg	Weight
Površina	Alu E6/EV1	Surface

Konzole *Brackets*

Pričvrtni prsten K-L-100-KLR-MB
Clamp ring K-L-100-KLR-MB

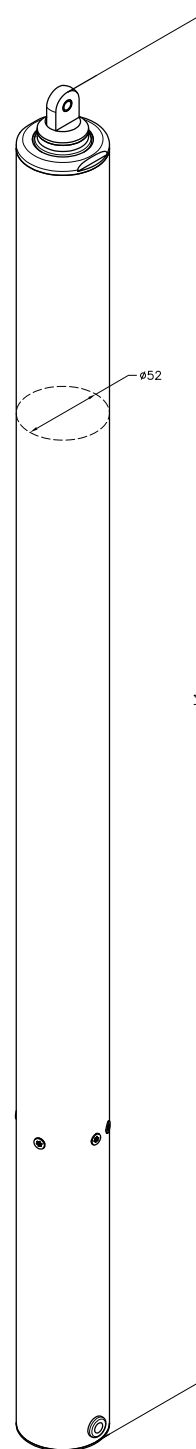


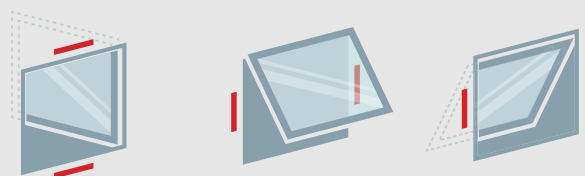
Gornja konzola OK-1500
Top bracket OK-1500

Prednosti /
karakteristikeAdvantages /
performance characteristics

- **Idealan pogon za dnevno prozračivanje**
The ideal actuator for daily ventilation and aeration
- **Maksimalna snaga 1800 N po pogonu**
Maximum force of 18000 N for each actuator
- **SICO/ mogućnost sinkronizacije do 4 pogona**
SICO / Synchro-capable up to four actuators
- **Regulirajuća snaga za smanjenje struje**
Free adjustable force for current limit

- **Hod kod dužine L1:**
Stroke at Length L1:
 - 500 mm = 917 mm
 - 600 mm = 1017 mm
 - 750 mm = 1167 mm
 - 1000 mm = 1417 mm





Pogon s utorima EA-L/S i EA-L/S-A

Slit actuator EA-L/S and EA-L/S-A



- Jedinstvena kinematika otvaranja zbog posebne kopče
Unique opening kinematics through special bracket
- 60° otvaranje unutar okvira – moguće otvaranje i preko 140°
60° opening when set within window with - openings more than 140° possible
- Za otvaranje prema unutra i prema van
For inward and outward opening windows

Tehnički podaci

Technical Data

Dimenzije

Dimensions

24
VDCDIN EN
12101-2

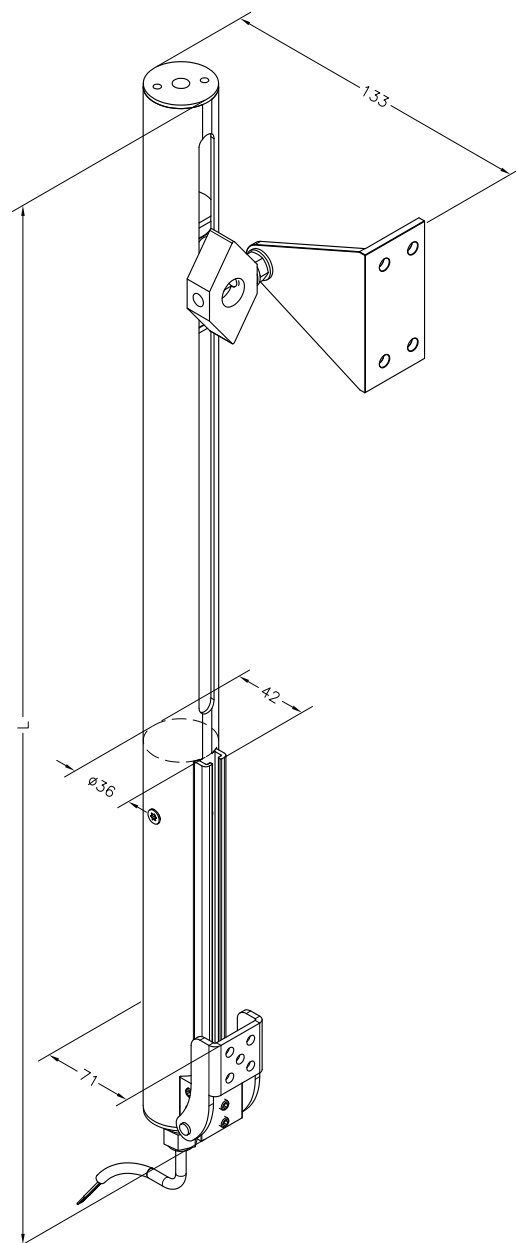
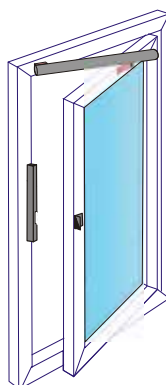
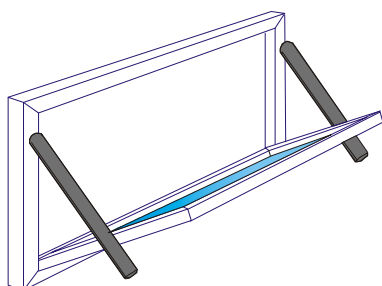
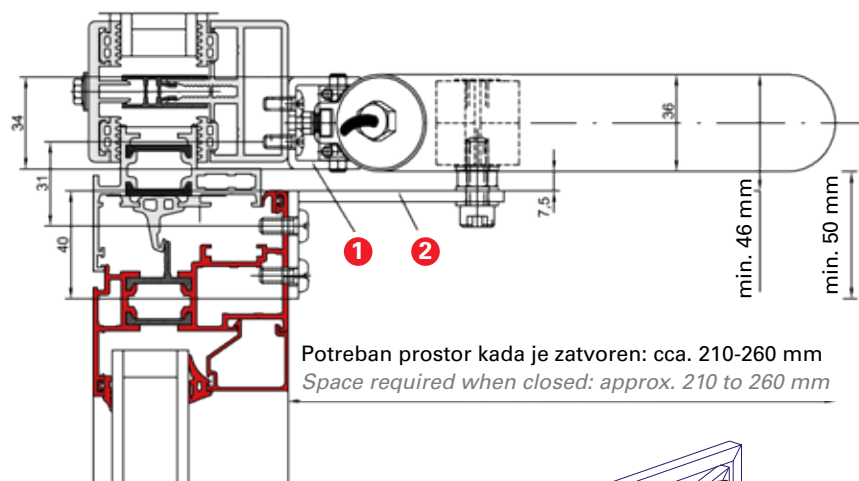
Struja	1.0 A	Current
Dužina hoda	200 – 750 mm	Stroke
Snaga	500 N	Force
IP zaštita	IP 20	Protection class
Brzina	8.4 mm/s	Speed
Temperaturni raspon	-5° - +75°C	Temperature range
Težina	≈ 3.0 kg	Weight
Površina	Alu E6/EV1	Surface

Konzole *Brackets*

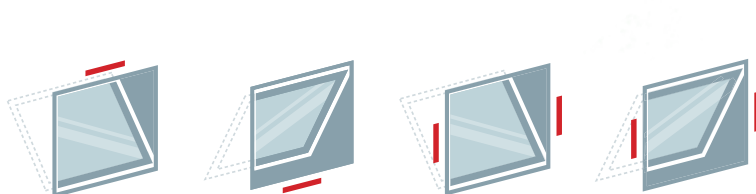
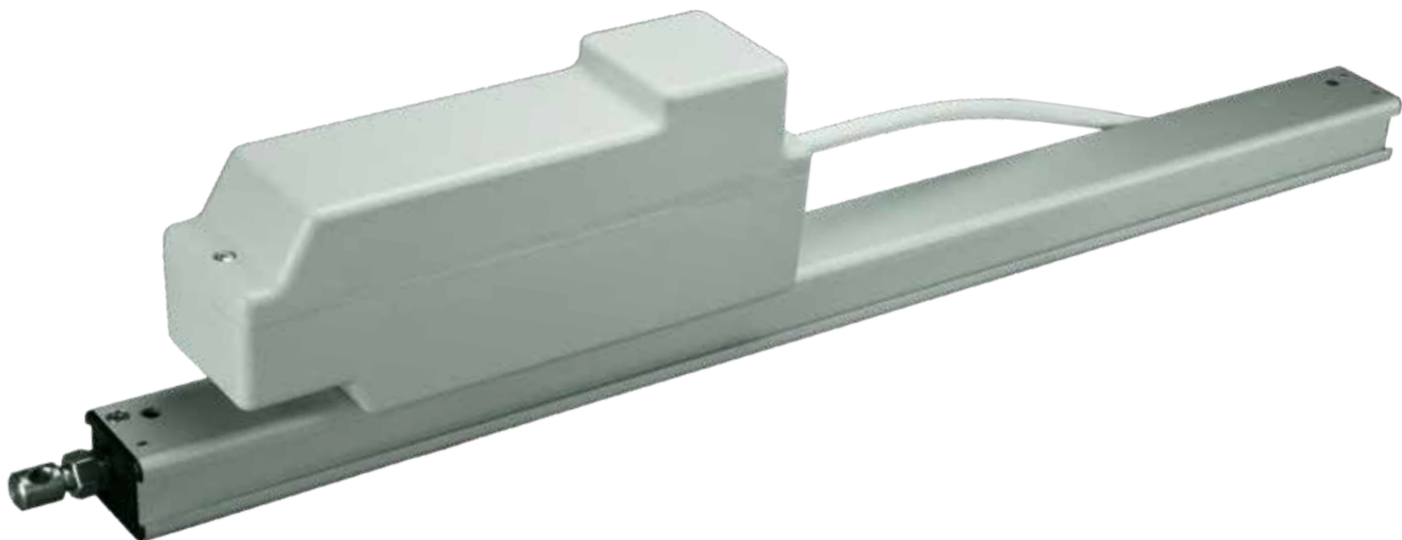
1

Stražnja konzola HK-L
Back bracket HK-L

2

npr. Kut otvaranja AW-80
for e.g. Opening angle AW-80Vrste ugradnje *Installation ways*

- Hod kod dužine L:
Stroke at length L:
 - 200 mm = 496 mm
 - 300 mm = 596 mm
 - 500 mm = 796 mm
 - 750 mm = 1067 mm



EA-SZ Zupčasti pogon

EA-SZ Rack & pinion actuator



Ovaj zupčasti pogon, nepobjediv je kod industrijske primjene. Ima sve karakteristike, koje se očekuju od modernog pogona.

This rack and pinion actuator is unbeatable with applications in the industrial area. It is equipped with all characteristics that can be expected of a modern actuator.

Tehnički podaci

Technical Data

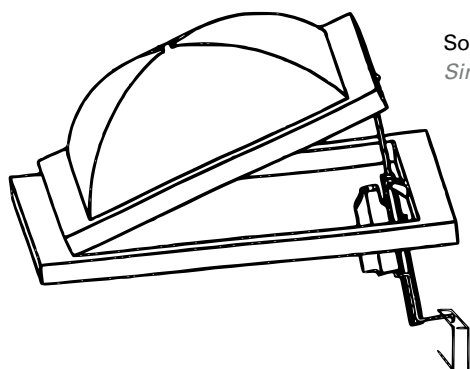
Dimenzije

Dimensions

24
VDC230
VACDIN EN
12101-2

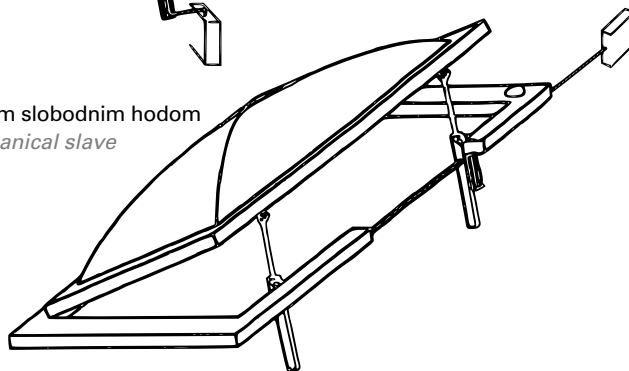
Struja 24 VAC	1.0 A	Current » 24 VDC
Struja » 230 VAC	0.22 A	Current » 230 VAC
Dužina hoda	300 – 1200 mm	Stroke
Snaga	650 / 800 N	Force
IP zaštita	IP 55	Protection class
Brzina	9 mm/s	Speed
Temperaturni raspon	-5° - +75°C	Temperature range
Težina	≈ 3.0 kg	Weight
Površina	Alu & Kunststoff / Plastic	Surface

Vrste ugradnje Installation ways

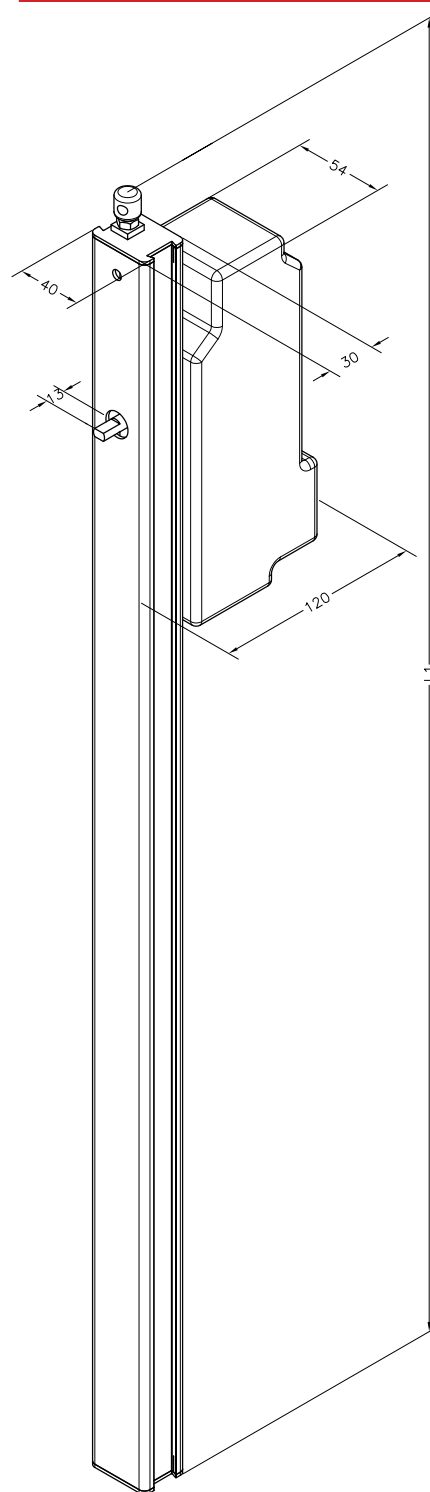


Solo ugradnja na svjetlosnoj kupoli
Single installation on light domes

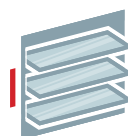
Sinkronizirano sa mehaničkim slobodnim hodom
Synchro version with mechanical slave

Prednosti /
karakteristikeAdvantages /
performance characteristics

- Garancija za korištenje u industriji
A proven recipe for industrial use
- Efektivna potrošnja energije
Effective energy consumption
- Maksimalna potrošnja hoda
Maximum stroke utilization
- Sinkronizacija sa pomoćnim motorom
Synchro use with a mechanical slave and connecting rod



- Hod kod dužine L1:
Stroke at length L1:
 - 350 mm = 570 mm
 - 550 mm = 770 mm
 - 750 mm = 970 mm
 - 1000 mm = 1220 mm



EA-L/S-1000/48 za prozore sa lamelama

EA-L/S-1000/48 for louvre windows



Sigurno odimljavanje sa sistemom staklenih lamela, ispitanim prema DIN EN 12101-2. Tip pogona s utorima posebno modificiran za prozore s žaluzinama EA-L/S-1000/48 u kombinaciji sa staklenom rešetkom TG-24 (RWA), smatra se optimalnim rješenjem kako u području RWA tako i kao sustav dovodnog zraka.

Reliable and secure smoke exhaustion with a glass louvre system fully tested to European Standard EN 12101-2. Together with a glass louvre window this slit actuator is an ideal solution for smoke ventilation applications but equally suitable for all ventilation requirements.

Tehnički podaci

Technical Data

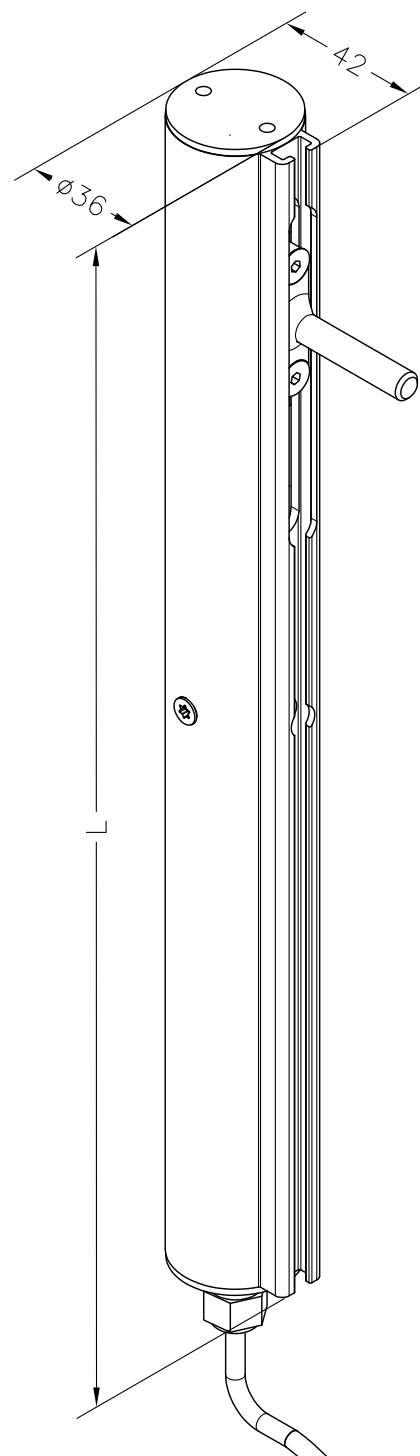
Dimenzije

Dimensions

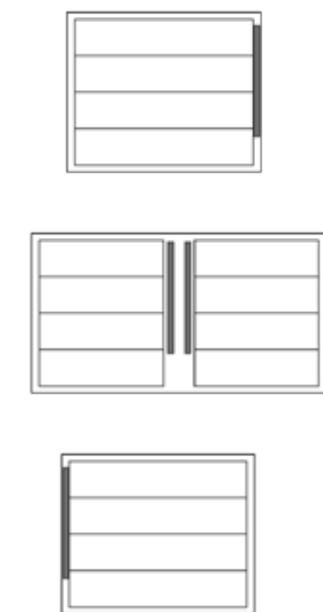
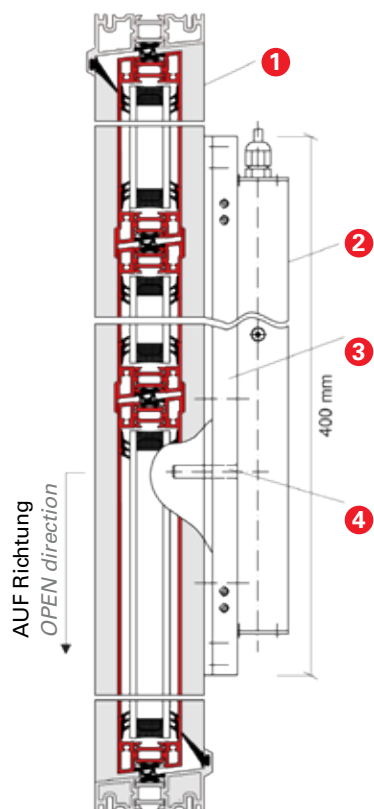
24
VDCDIN EN
12101-2

Struja	1.0 A	Current
Dužina hoda	48 mm	Stroke
Snaga	1000 N	Force
IP zaštita	IP 52	Protection class
Brzina	6 mm/s	Speed
Temperaturni raspon	-5° - +40°C	Temperature range
Težina	≈ 2,5 kg	Weight
Površina	Alu E6/EV1	Surface

Vrsta ugradnje Installation way



- Dužina L: 400 mm
Length L: 400 mm



Različite vrste ugradnje u pojedinačnoj, tandemskoj i sinkroniziranoj verziji.

Various installation ways for single, tandem and synchro version

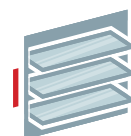
1. Lamelni sustav
2. EA-L/S-1000-48 pogon
3. Osnovna ploča
4. Klizni trn

Louvre system
EA-L/S-1000-48 actuator
Mounting plate
Sliding bolt

Prednosti /
karakteristikeAdvantages /
performance characteristics

- Uporaba na prozorima s lamelama, i za nove i za renovirane
Applicable for louvre windows (new or refitting)
- Moguća individualna prilagodba
Individually customizable

Tehničke promjene i greške pridržane. *Technical modifications and errors excepted.*



EA-L 120/EA-L 165 za prozore s lamelama

EA-L 120 / EA-L 165 for louvre windows



Specijalno modificirani linearni pogoni EA-L 120 i EA-L 165 omogućuju učinkovito elektromehaničko aktiviranje lamela. Sa tim motorima dobijete optimalnu estetiku, funkcionalnost i stabilnost.

Specifically modified linear actuators type EA-L 120 and EA-L 165 for controlling louvres efficiently. With this actuators you receive an optimum of aesthetics, functionality and reliability.

Tehnički podaci

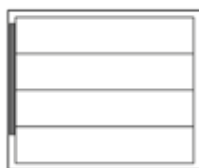
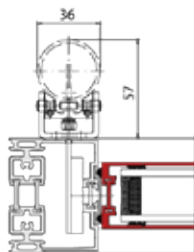
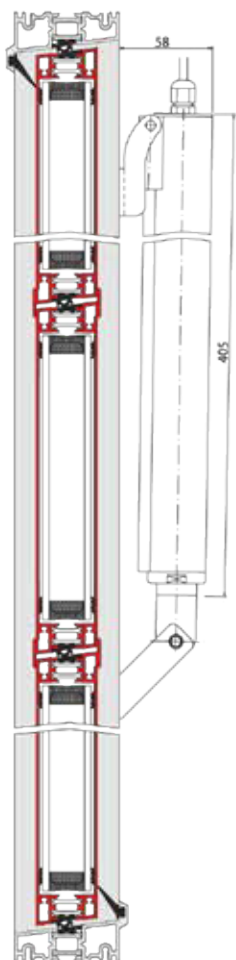
Technical Data

Dimenzije

Dimensions

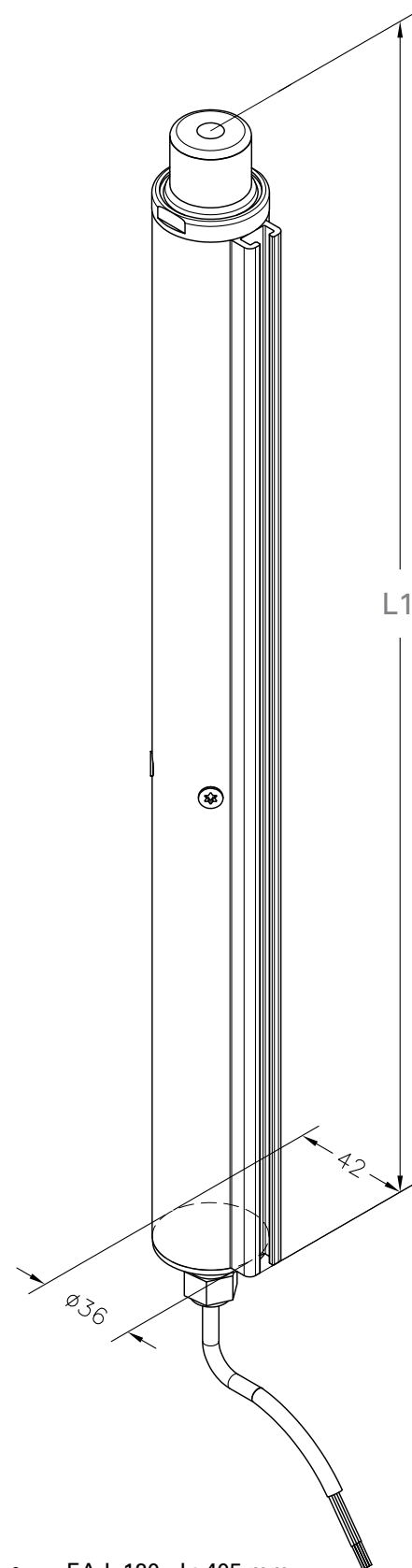
24
VDCDIN EN
12101-2

Struja	1.0 A	Current
Dužina hoda	120 mm / 165 mm	Stroke
Snaga	500 / 750 / 1000 N	Force
IP zaštita	IP 54	Protection class
Brzina	6 mm/s	Speed
Temperaturni raspon	-5° - +75°C	Temperature range
Težina	≈ 3.0 kg	Weight
Površina	Alu E6/EV1	Surface

Vrste ugradnje *Installation way*

Različite vrste ugradnje u pojedinačnoj, tandemskoj i sinkroniziranoj verziji.

Various installation ways for single, tandem and synchro version

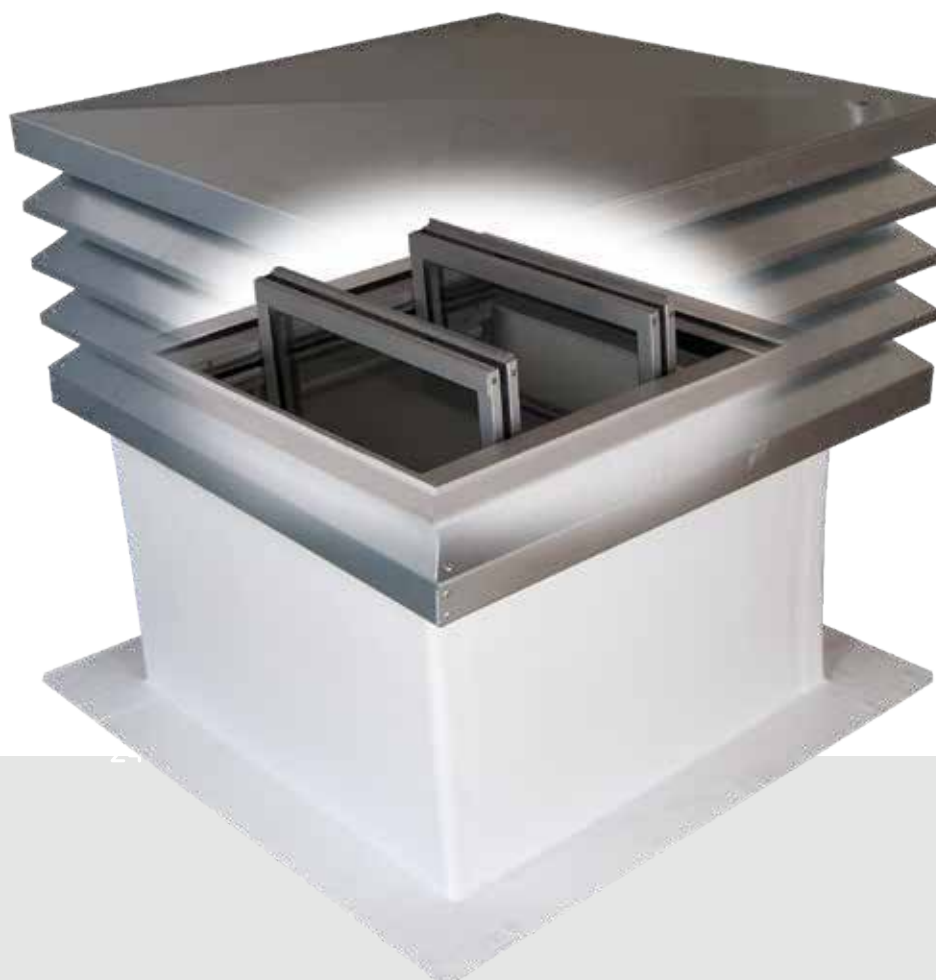
Prednosti /
karakteristike*Advantages /
performance characteristics*

- Uporaba na prozorima s lamelama, i za nove i za renovirane
Applicable for louvre windows (new or refitting)
- Moguća individualna prilagodba
Individually customizable

- EA-L 120 - L: 405 mm
- EA-L 165 - L: 522 mm

Tehničke promjene i greške pridržane. *Technical modifications and errors excepted.*

SIMON
we create fire safety



Element za odvod dima SHEV-FLAP

Smoke extraction flap SHEV-FLAP

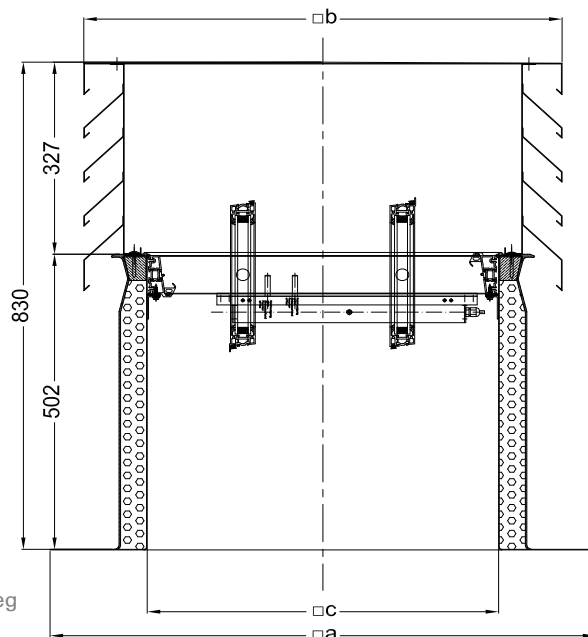


Kompaktan element za odvod dima SHEV-FLAP je element na krovu za ventilaciju odnosno odvod dima neovisno o vremenskim prilikama. Sastoji se od ravnog, toplinski izoliranog postolja GFK-a i integriranog prozora s lamelama s pričvršćenom haubom za zaštitu od vremenskih prilika. SHEV-FLAP se radi inspekcije može otvoriti i s krova.

The compact smoke extraction flap SHEV-FLAP is a flat roof system for wind and weather independent smoke and daily ventilation for smoke shafts. It contains a straight isolated GFK-curb with an integrated approved louvre window. On it there is a weather protection hood. The SHEV-FLAP is ideal for smoke ventilation openings on top of elevator or other shafts to fulfill also the energy saving ordinance.

Tehnički podaci

Technical Details

24
VDCDIN EN
12101-2NRWG-Izolirana staklena lamela,
uključujući pogonPostolje/ Hauba za zaštitu
od vremenskih prilika*Isolated louvre window as smoke
ventilator with actuator**Curb /
Weather protection hood*Napetost 24 Volt DC
*Voltage*Materijal GFK / Lamelna
pločica pocinčana
*Knife blade galv.*Potrošnja energije 1 A
*Current*Izolacija (AK) 4 cm, PD,
Isolation (curb) U-Wert=0.5Temperaturni raspon -5° - +40°C
*Temperature range*Zaštita od ptica Perforirana ploča
Bird protection *Perforated plate*Staklo Float 4/16/4,
Glass Ug=1.1Zaštita od
insekata Mreža od nehrđajućeg
Insects protect. čelika
Stainless steel
(optional) *mesh*

	A _{geo} [m ²]	a [mm]	b [mm]	c [mm]	[kg]
S	0,15	840	735	540	ca. 62
M	0,26	955	850	655	ca. 77
L	0,42	1115	1010	815	ca. 96

Primjena Application

SHEV-FLAP isporučuje se kao gotovi krovni element i u pravilu ga ugrađuje krovopokrivač tokom izrade krova. Odvod dima propisan zakonom, kao i svakodnevno prozračivanje, upravlja se električnim motorom NRWG (testiran i odobren za prozore s lamelama). GFK postolje je izolirano i termički odvojeno. Lamelna hauba je opremljena sa zaštitom za ptice i prema potrebi može se staviti i zaštita od insekata. SHEV-FLAP je dostupan u 3 standardne veličine (vid tablicu). Posebne veličine dostupne su na upit.



Lamelna hauba sa zaštitom za ptice (standard)
Slatted hood with bird protection (standard)

SHEV-FLAP will be delivered as ready-to-use flat roof element and will be installed through the ordinary work of the roofers. With that element, the smoke extraction shaft will be closed on top and that closes the building surface (according energy saving ordinance). The smoke extraction required by the building code, as well as the daily ventilation of the elevator shaft, is ensured by an electric motor-driven NSHEV (tested and approved louvre window according EN 12101-2). The GFK-curb is isolated and thermally separated. The slatted hood has a bird protection grid and can be upgraded through an insect protection grid. The SHEV-FLAP is available in three standard sizes (see table). Other sizes are available on request.



Lamelna hauba sa zaštitom za insekte (opcija)
Zaštita za insekte se može izvaditi za čišćenje
Slatted hood with insects protection (optional)
Can be taken out for cleaning

Tehnologija okova

Stranica 54 do 60

SIMON PROTEC nudi pored svojih pogona također i opsežan asortiman okova. Ovi inteligentni sistemi brinu za više komfora i sigurnosti i optimalni su za različite pogonske sustave.

54 PA-ZV-UNI

Elektroničko dodatno zaključavanje PA-ZV-UNI služi za dodatne točke zaključavanja.

The electrical supplementary locking PA-ZV-UNI will be attached on frame and provides an additional locking point.

56 ZV-ELIMATIC

Dodatni mehanizam za zatvaranje prozora koji pokreće osnovni mehanizam u samom prozoru.

This supplementary locking controls through the square bolt the integrated window locking gear.



Fitting technology

Pages 54 to 59

Besides its actuators, SIMON PROtec offers a comprehensive range of locking mechanisms. Those intelligent systems provide a

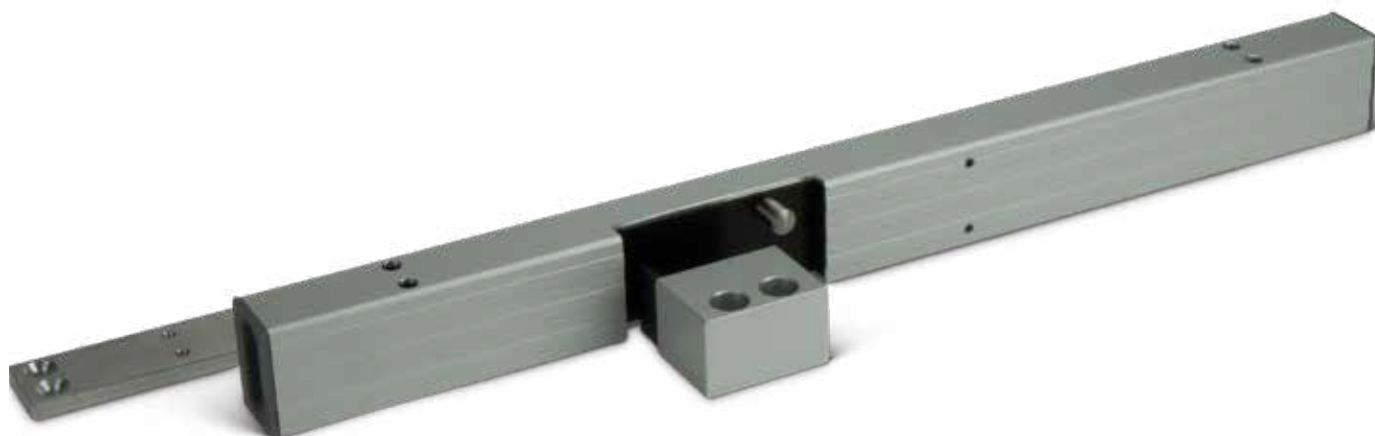
surplus of convenience and security and are specially optimized for the different SIMON PROtec actuators.

58 ZVK-LOCK

ZVK-LOCK ugrađuje se u profil prozora (ili na profil prozora) i pokreće integrirani mehanizam.

The ZVK-LOCK will be placed into the window profile (or onto it) and moves the integrated window locking stripe.





PA-ZV-UNI

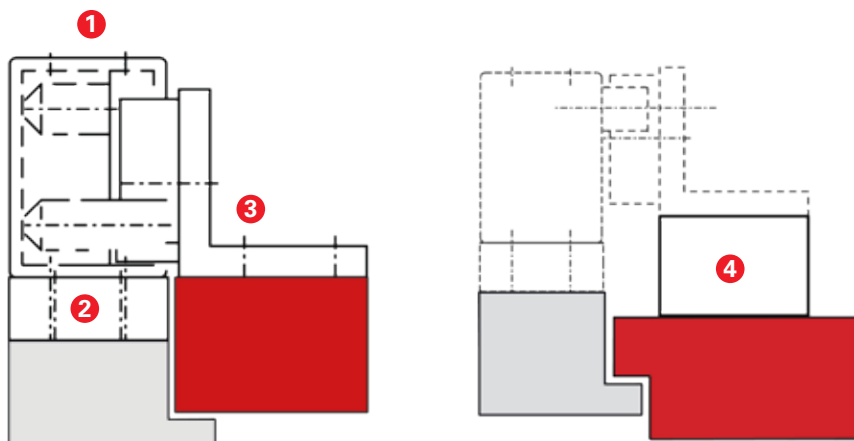


Električno dodatno zaključavanje PA-ZV-UNI sa utikačem SICO PLUG i sa kombinirajućim poklopcem za brzu instalaciju. Električno dodatno zaključavanje omogućuje povećanje pritiska kod visokih i širokih krila kroz jednu dodatnu točku zaključavanja i brine za dodatno mehaničko zaključavanje.

Supplementary Electric Locking PA-ZV-UNI with the SICO PLUG connector and the combi cap for a fast installation. This supplementary electric locking mechanism increases the pressing force of high and wide windows through an additional locking point and provides mechanical locking for the window.

24
VDCDIN EN
12101-2

Struja	0.095 A	Current
Pritisak	200 N	Contact pressure
Sila zaključavanja	750 N	Holding force
IP Zaštita	IP 40	Protection class
Vrijeme otvaranja	≤ 15 s	Opening time
Temperaturni raspon	0 () +75°C	Temperature range
Težina	≈ 0.9 kg	Weight
Površina	Alu E6/EV1	Surface

Vrste ugradnje *Installation ways*

1. PA-ZV-UNI
2. Ploča za pričvršćivanje
3. Zaključavajući blok
4. Pločica za distancu

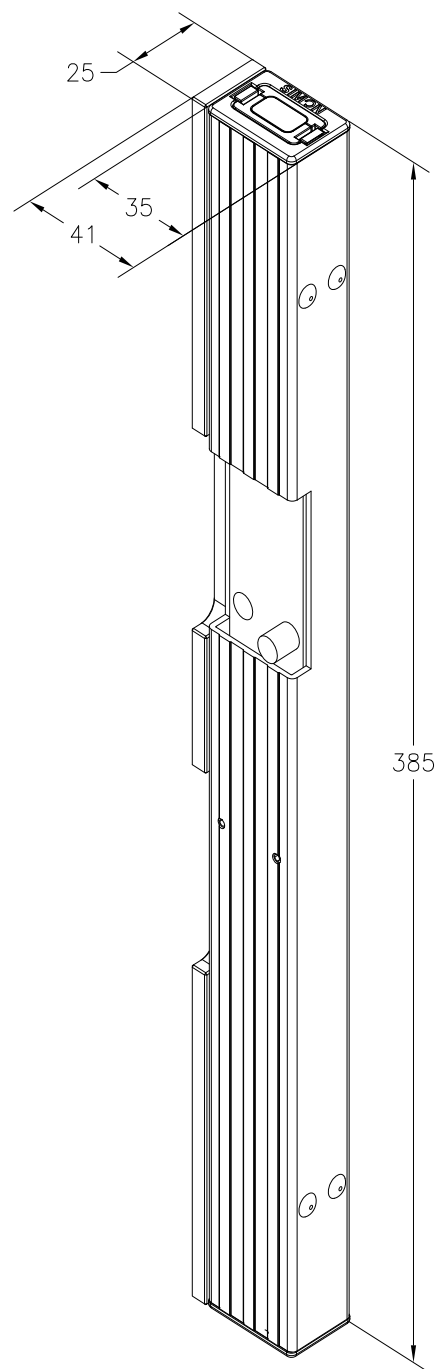
PA-ZV-UNI
Fixing plate
Locking angle with block
Distance spacer

Prednosti /
karakteristikeAdvantages /
performance characteristics

- Integrirani redosljednik za spajanje 24 V DC pogona sa beznaponskim kontaktom u zatvorenom i F kontaktu (ukupna struja 6A)

Integrated slave controller for linking 24 VDC actuators with dry contact in CLOSE or F - contact (current sum 6 A)

- Potreban mali prostor od 25 mm na okviru prozora
Small space requirement of 25 mm on window frame
- Priključak pomoću SICO PLUG-a
Cable connection through SICO PLUG
- Preklop preko +/- 30 mm moguć
Wing projection of +/- 30 mm possible





ZV-ELIMATIC



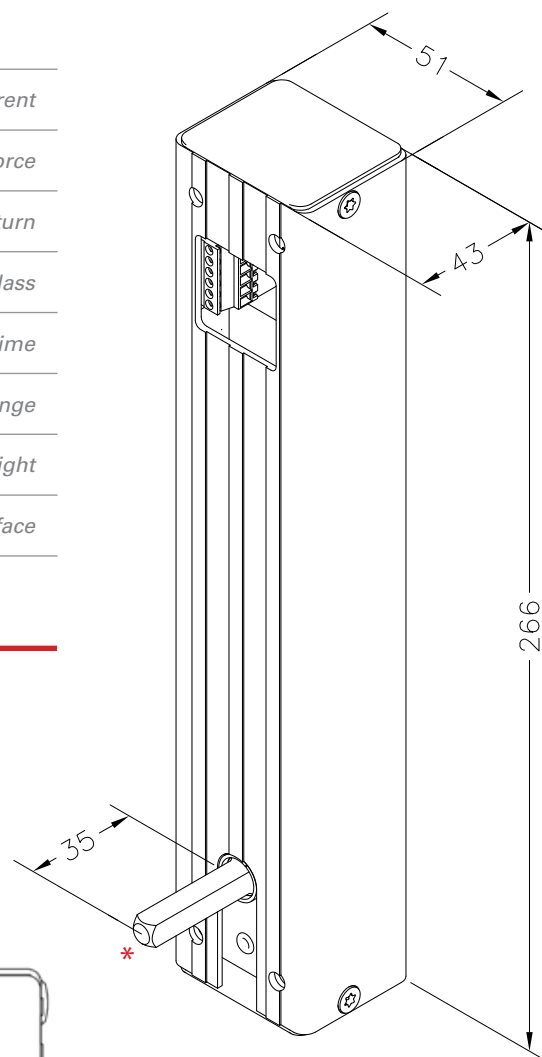
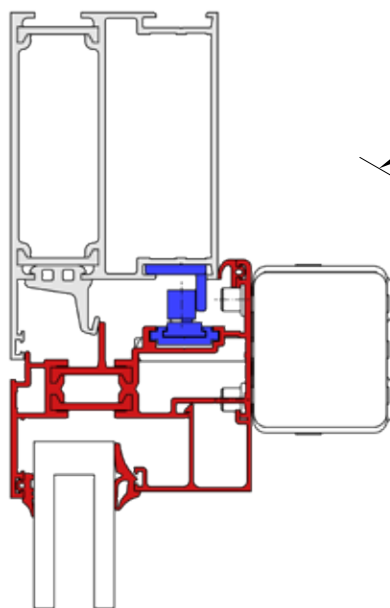
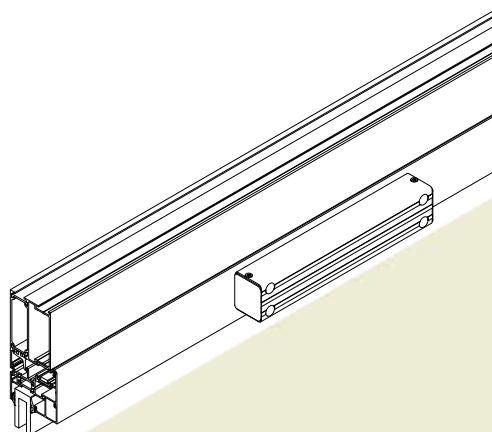
Dodatno zaključavanje ZV-ELIMATIC ugrađeno je između upravljačkog i pogonskog sustava i postavlja se izravno na zupčanik prozora pomoću četvrtastog klina i na taj način se pokreće pant za zaključavanje prozora.

The additional locking mechanism ZV-ELIMATIC will be set between control panel and actuator system and activates the integrated locking of the window through the square bolt. Sealing, burglary protection and safety will be underlined.

24
VDC

Struja	0.95 A	Current
Zaokretni moment	9 Nm	Torque force
Trn	7 x 7 mm *	Bolt for window turn
IP Zaštita	IP 32	Protection class
Vrijeme otvaranja	≤ 13 s	Opening time
Temperaturni raspon	0° - +75°C	Temperature range
Težina	0.9 kg	Weight
Površina	Alu E6/EV1	Surface

Vrste ugradnje Installation ways



* Standardni trn sa dimenzijama 7x7 mm su sa Z-ZV-Elimatic proširivi do 10x10 mm (u kompletu uključene su 3 redukcije za 8x8, 9x9 i 10x10 mm)

The standard square bolt for window turn with its dimensions of 7x7 mm can be enlarged up to 10x10 mm by means of Z-ZV-Elimatic sleeve set (the set includes 3 sleeves for 8x8, 9x9 and 10x10 mm).

Prednosti / karakteristike

Advantages / performance characteristics

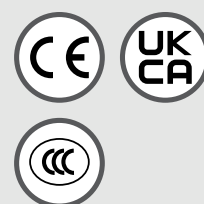
- Integrirani redosljednik za spajanje 24 V DC pogona sa beznaponskim kontaktom u zatvorenom i F kontaktu (ukupna struja 6A)

Integrated slave controller for linking 24 VDC actuators with F - feedback contact (current sum 6 A)

- Optički privlačan, ravna konstrukcija, mogući unutarnji kablovi
Good-looking, flat construction - hidden wiring possible
- Okretanje lijevo/desno - 90°/180° podesivo preko DIP prekidača
Rotation left/right - 90°/180° adjustable by DIP switch



ZVK-LOCK



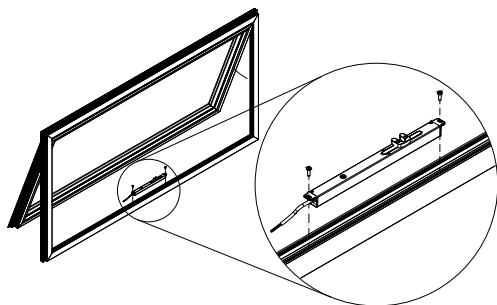
ZVK-LOCK je elektromehanički pogon za zaključavanje, koji aktivira pant za zaključavanje prozora. Pogon može biti integriran ili postavljen na prozor i upravlja sa budućim pogonom otvaranja.

The ZVK-LOCK is an electrical mechanical locking actuator which activates the window locking. The actuator can be integrated into or mounted onto the frame and controls the connected opening actuator automatically.

24
VDC

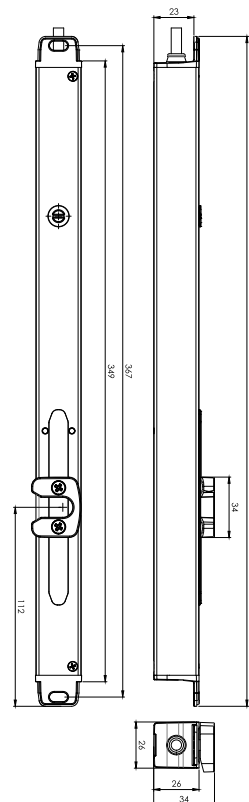
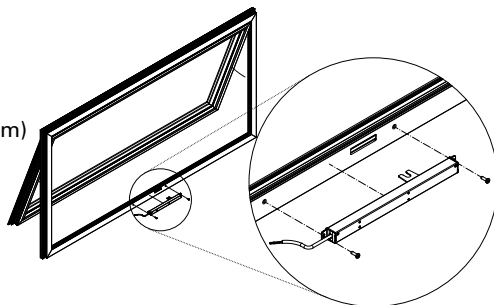
Struja	1.1 A	Current
Dužina hoda	18 mm / 36 mm	Stroke
Snaga	300 N	Locking force
IP zaštita	IP 10 / IP 32	Protection class
Vrijeme otvaranja	≤ 7.2 s	Opening time
Temperaturni raspon	-5° - +70°C	Temperature range
Težina	≈ 0.47 kg	Weight
Površina	Alu E6/EV1	Surface

Vrste ugradnje Installation ways

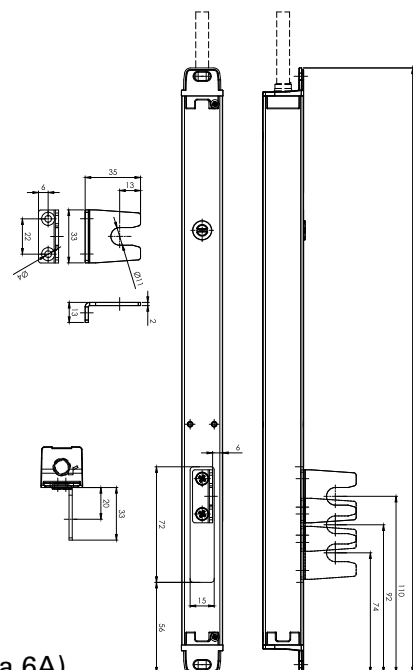


Montaža izvana
(ZVK-LOCK-A sa viljuškastom konzolom)
View of external Mounting
(ZVK-LOCK-A with fork-bracket)

Montaža izvana
(ZVK-LOCK-A sa viljuškastom konzolom)
View of external Mounting
(ZVK-LOCK-A with fork-bracket)



ZVK-LOCK-I za unutarnju montažu / ZVK-LOCK-I for inner mounting



ZVK-LOCK-A za vanjsku montažu / ZVK-LOCK-A for external mounting

Prednosti /
karakteristikeAdvantages /
performance characteristics

- Integrirani redosljednik za spajanje 24 V DC pogona (ukupna struja 6A) sa F kontaktom ili potencijalno slobodnim kontaktom
Integrated sequence controller for connecting 24 VDC actuators (current sum 6 A) with F-contact or volt-free contact
- Za ugradnju u okvir ili na okvir
For mounting integrated into the window frame or onto it



Superključ d.o.o. | Ljudevita Gaja 62A, HR-10430 Samobor
Tel. +385 (0)1 / 5806 341 | Fax +385 (0)1 / 5806 342
superkljuc@superkljuc.eu | www.superkljuc.eu

SIMON
we create fire safety